



— **GLASS HARDWARE** —

**JINCHENG HARDWARE INDUSTRY CO.,LTD**

**Add:** No. 191, Wudong Industrial Zone,  
Lile Town, Jianghai Dist, Jiangmen,  
Guangdong, China 529060.

**Tel:** +86-750-3166208

**Fax:** +86-750-3166206

**E-mail:** sales@jincheng-hw.cc

**http:** //www.jincheng-hw.com



# JINCHENG



Door • Window • Glass







## ABOUT US

JinCheng Hardware Industry Co.,Ltd is a manufacturer and supplier of glass hardware to the construction industry, is located at Jiangmen city, Guangdong province in China Near HK and Macao. JinCheng products are both durable and versatile.

Our outstanding products series includes high quality shower hinge, glass brackets, office glass fitting systems, pool fence hardware, standoff hardware, door handle, sliding handles.

We focus on customers service, high quality and competitive price, which leading our goods are popular in America, Canada, Europe, Southeast. Asia, Middle-East and other countries abroad.

# CONTENTS

## GLASS HARDWARE

Shower Hinge & Glass Clip(SDH,GC) .....	2 - 1 7
Shower Hinge & Glass Lock(GDH,GDL) .....	1 8 - 2 4
Glass Shelf Holder(GSH) .....	2 5 - 2 7
Knighthead Accessories(KA,BCB) .....	2 8 - 3 2
Glass Door Knob & Handle(DK,BH) .....	3 3 - 4 1
Translucent Sealing Strip(TSS) .....	4 2 - 4 6
Floor Trap Gratine(FTG) .....	4 7 - 5 0
Swing Door System(SWC) .....	5 1 - 5 8
Sliding Door System(SL) .....	5 9 - 6 3
Connecting System(CON) .....	6 4 - 6 6
Patch Fitting(PF) .....	6 7 - 7 3
Glass Door Lock(GL) .....	7 4 - 7 8
Floor Spring & Door Closer(FS,DC) .....	7 9 - 8 2
Spider Fitting(SF) .....	8 3 - 8 7
Handrails Hardware(HS) .....	8 8 - 9 3
Pool Fencing Hardware(AG) .....	9 4 - 9 6
Enclosure .....	9 7 - 1 0 8



**Shower Hinge & Glass Clip**



## Shower hinge & Glass clip(SDH,GC)

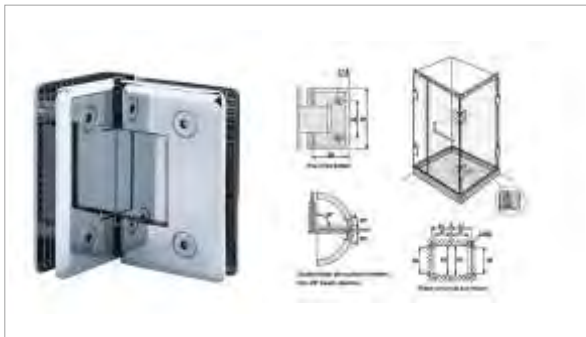
**SDH-101-90**



**SDH-101-90HP**



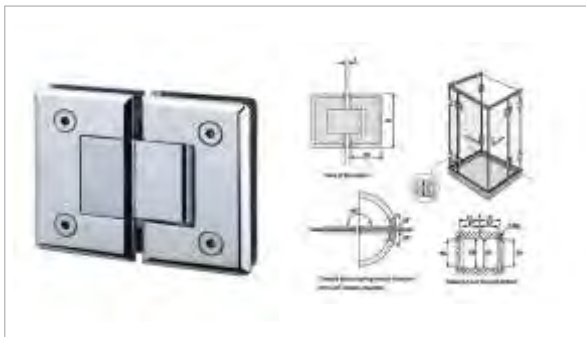
**SDH-102-90**



**SDH-102-135**



**SDH-102-180**



**SDH-104-360**



**SDH-105-90**



## Shower hinge & Glass clip(SDH,GC)

GC-101



GC-101A



GC-102



GC-103



GC-104



GC-105



GC-106



GC-107





## Shower hinge & Glass clip(SDH,GC)

**SDH-201-90**



**SDH-201-90HP**



**SDH-202-90**



**SDH-202-135**



**SDH-202-180**



**SDH-202-360**



**SDH-205-90**



## Shower hinge & Glass clip(SDH,GC)

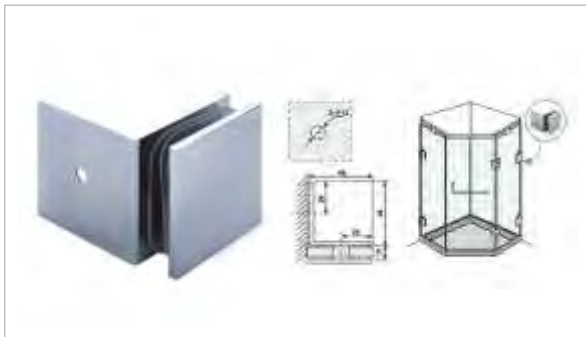
GC-301



GC-301A



GC-302



GC-303



GC-304



GC-305



GC-306



GC-307



## Shower hinge & Glass clip(SDH,GC)

SDH-601-90



SDH-601-90HP



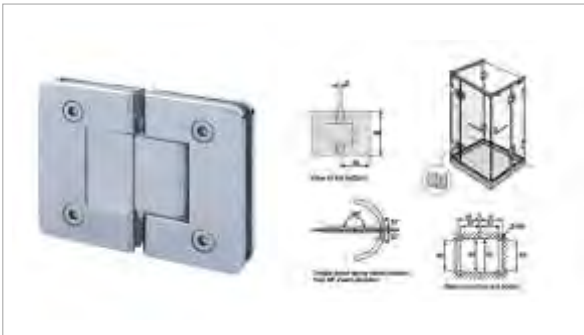
SDH-602-90



SDH-602-135



SDH-602-180

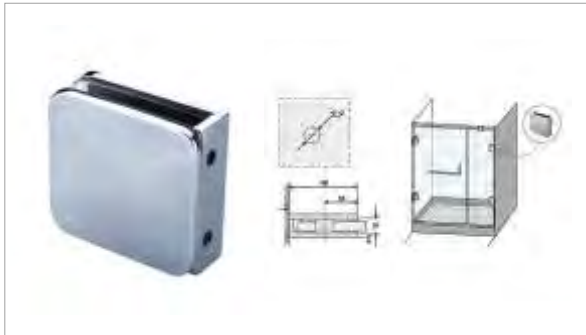


SDH-602-360



## Shower hinge & Glass clip(SDH,GC)

GC-201



GC-202



GC-203



GC-204



GC-205



GC-206

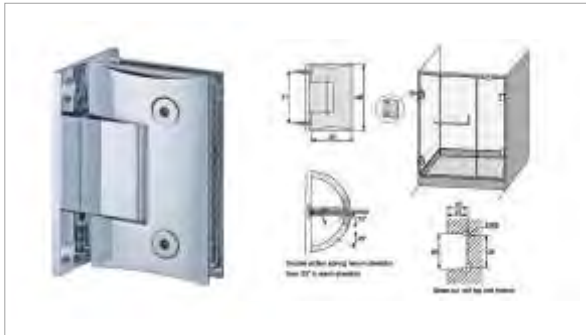


GC-207



## Shower hinge & Glass clip(SDH,GC)

**SDH-801-90**



**SDH-801-90HP**



**SDH-802-90**



**SDH-802-135**



**SDH-802-180**



**SDH-801-360**

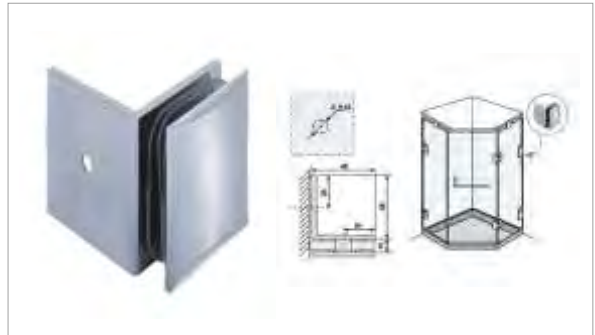


## Shower hinge & Glass clip(SDH,GC)

GC-801



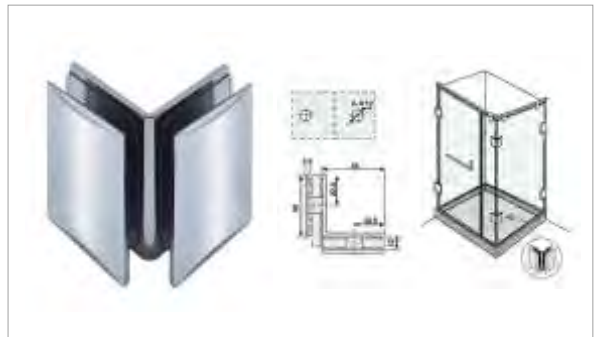
GC-802



GC-803



GC-804



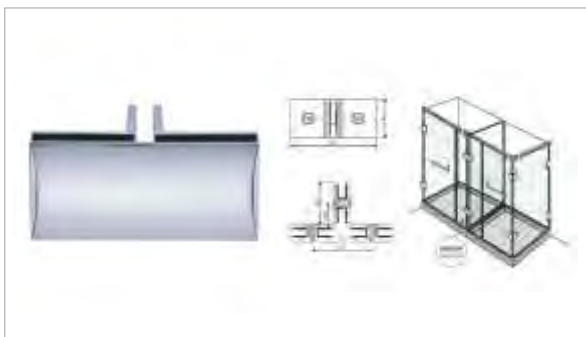
GC-805



GC-806

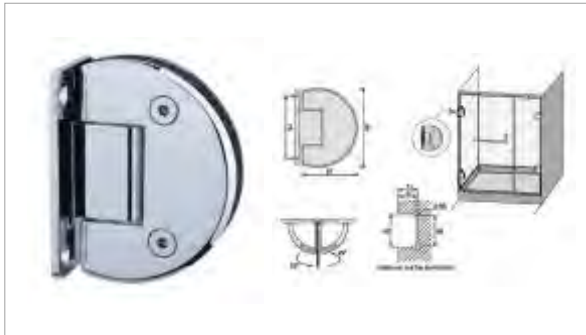


GC-807



## Shower hinge & Glass clip(SDH,GC)

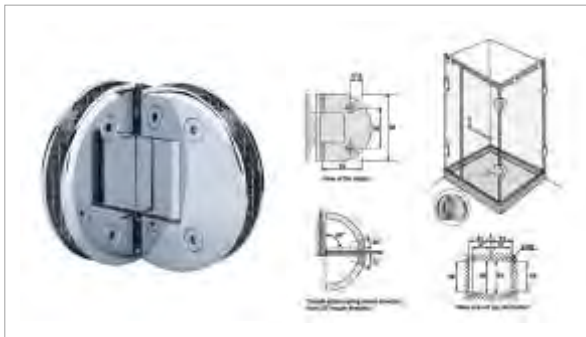
SDH-501-90



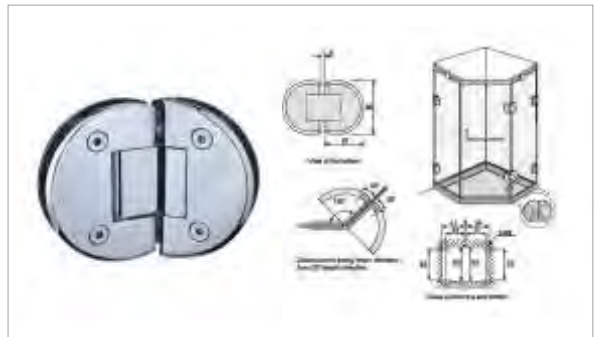
SDH-501-90HP



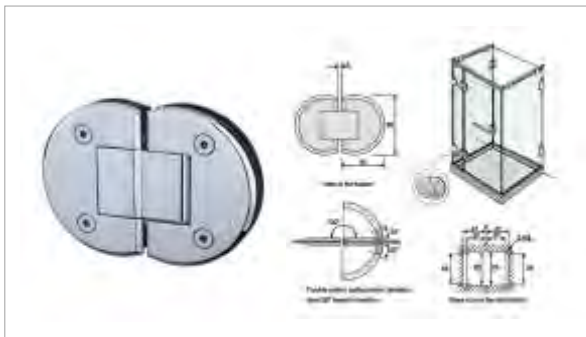
SDH-502-90



SDH-502-135



SDH-502-180



SDH-503-360

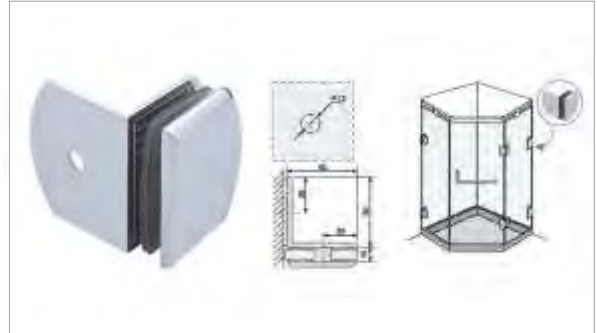


## Shower hinge & Glass clip(SDH,GC)

GC-501



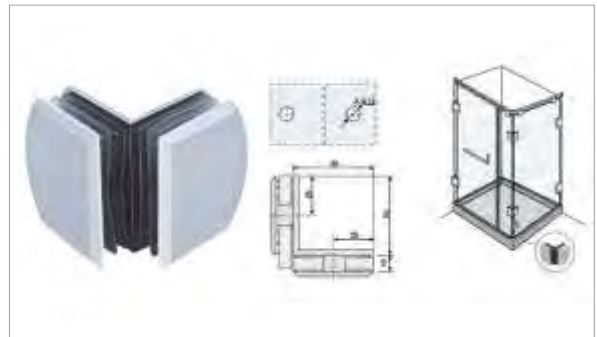
GC-502



GC-503



GC-504



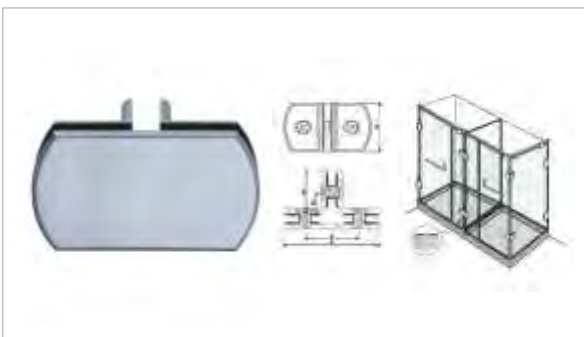
GC-505



GC-506



GC-507





## Shower hinge & Glass clip(SDH,GC)

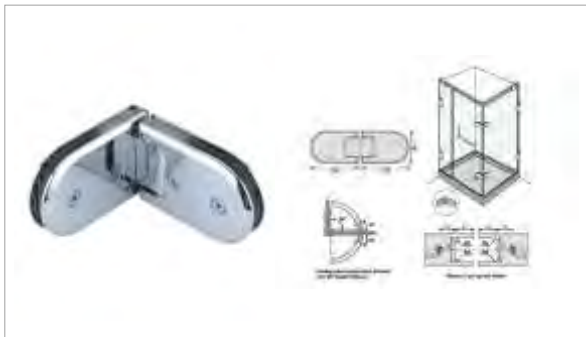
**SDH-301-90**



**SDH-301-90HP**



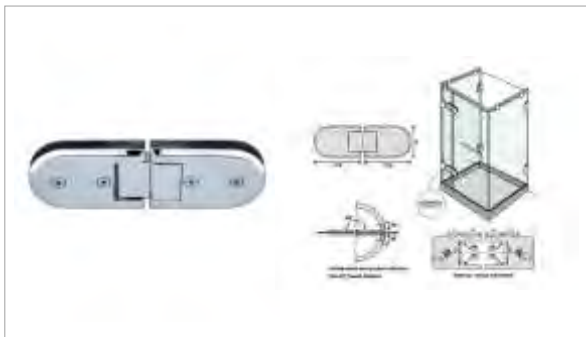
**SDH-302-90**



**SDH-302-135**



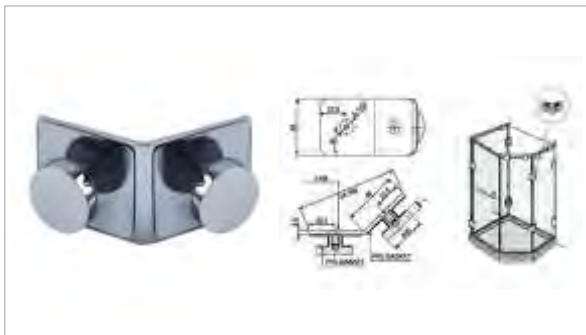
**SDH-302-180**



**GC-401**



**GC-402**



**GC-403**



## Shower hinge & Glass clip(SDH,GC)

GC-404



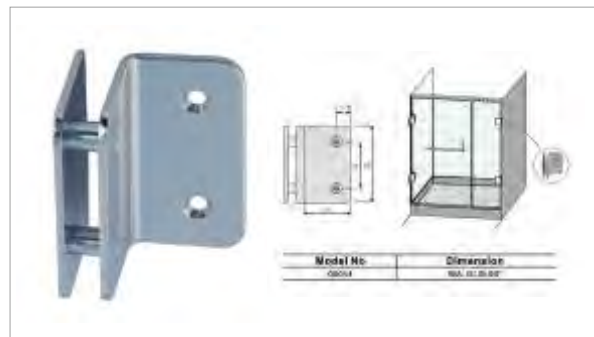
GC-405



00013-b



00014



00015



00016



## Shower hinge & Glass clip(SDH,GC)

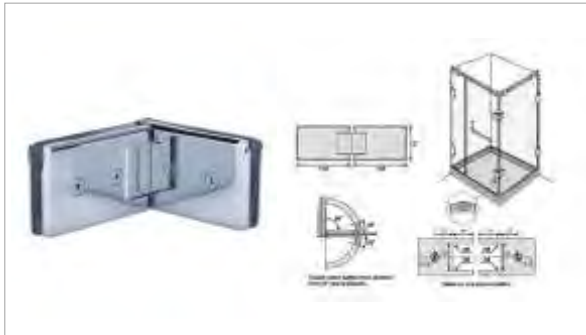
**SDH-401-90**



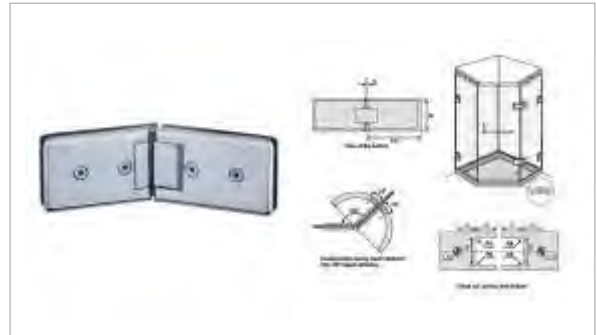
**SDH-401-90HP**



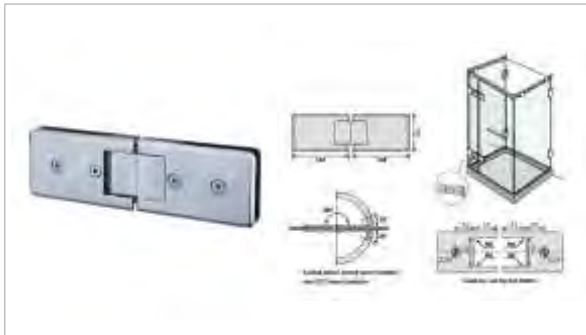
**SDH-402-90**



**SDH-402-135**



**SDH-402-180**



**SDH-1001-90**



**SDH-1001-90HP**



**SDH-1002-90**

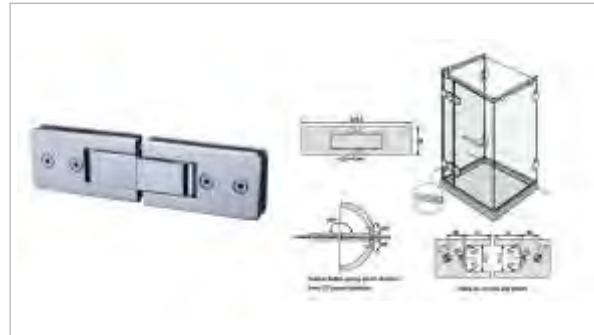


## Shower hinge & Glass clip(SDH,GC)

**SDH-1002-135**



**SDH-1002-180**



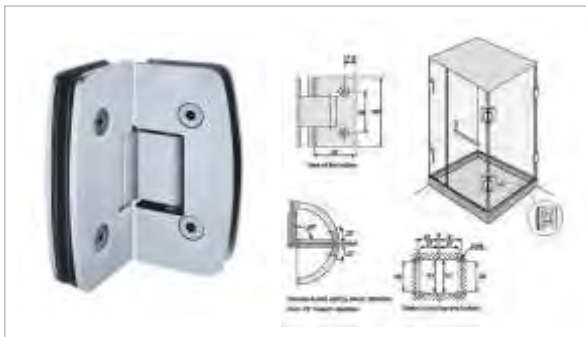
**SDH-3001-90**



**SDH-3002-90HP**



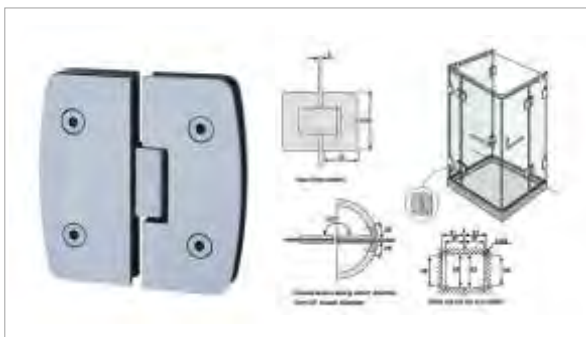
**SDH-3002-90**



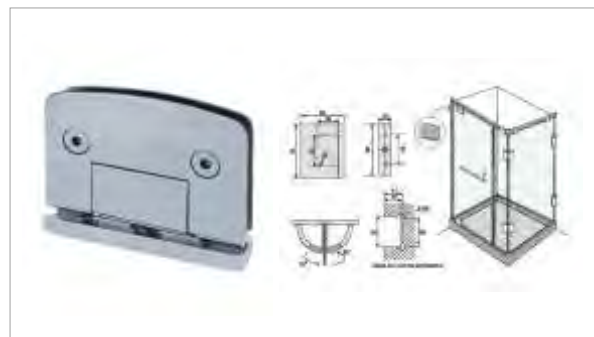
**SDH-3002-135**



**SDH-3002-180**

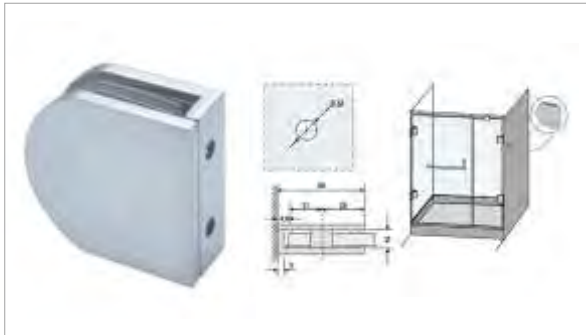


**SDH-3002-360**

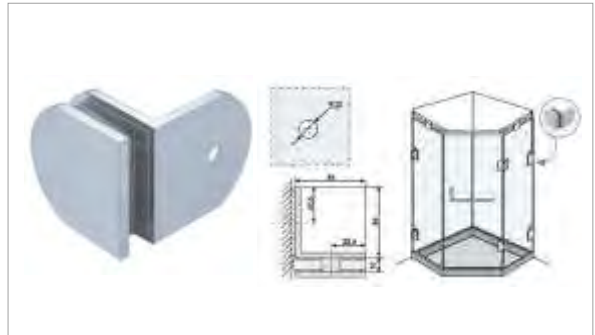


## Shower hinge & Glass clip(SDH,GC)

**GC-601**



**GC-602**



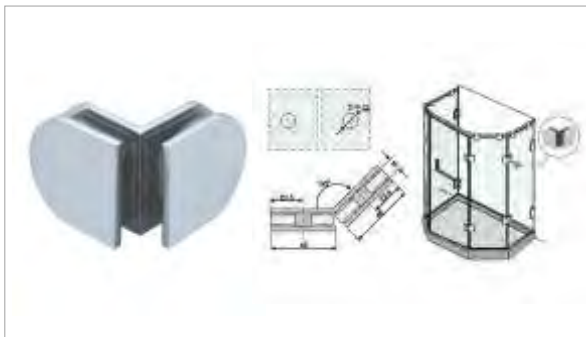
**GC-603**



**GC-604**



**GC-605**



**GC-606**



**GC-607**





**Shower Hinge & Glass Lock**



## Shower hinge & Glass lock(GDH,GDL)

**GDH-0011**



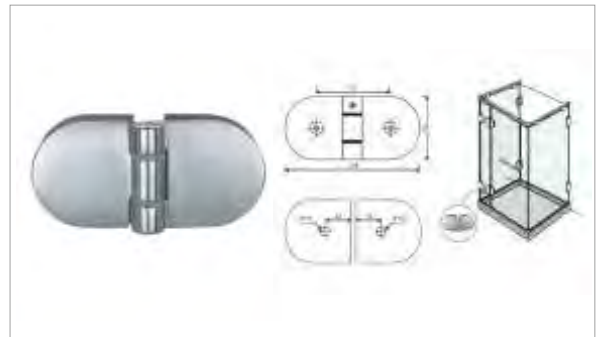
**GDH-0012**



**GDH-0021**



**GDH-0022**



**GDH-0031**



**GDH-0032**



**GDH-0041**



**GDH-0042**

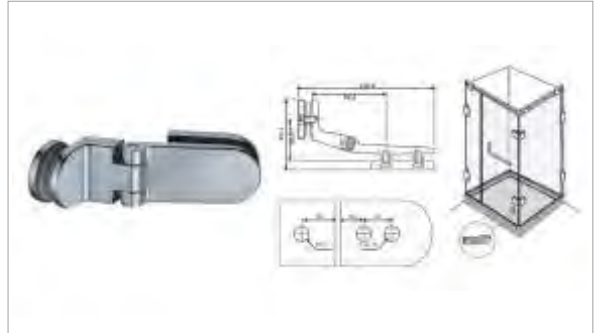


## Shower hinge & Glass lock(GDH,GDL)

GDH-0051



GDH-0052



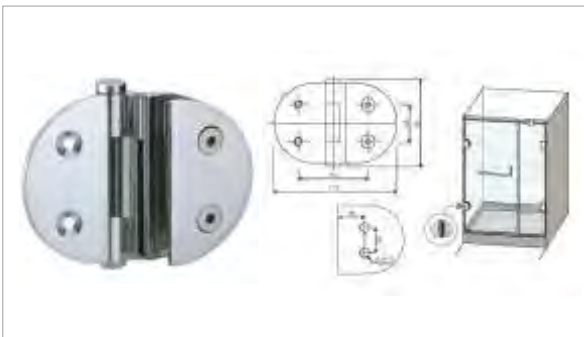
GDH-0061



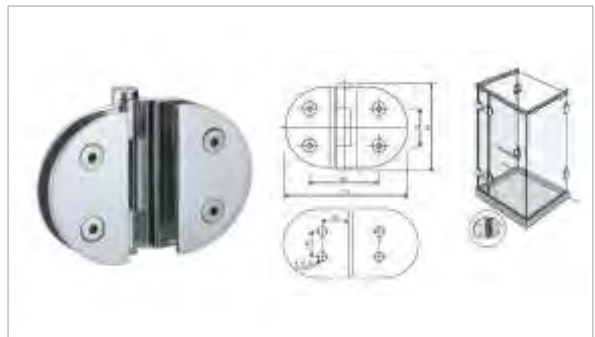
GDH-0062



GDH-0071



GDH-0072



GDH-0081



GDH-0082





## Shower hinge & Glass lock(GDH,GDL)

**GDH-39**



**GDH-391**



**GDH-66**



**GDH-661**



**GDH-75**



**GDH-751**



**GDH-80**



**GDH-80Z**



## Shower hinge & Glass lock(GDH,GDL)

GDH-965



GDH-966



GDH-967W



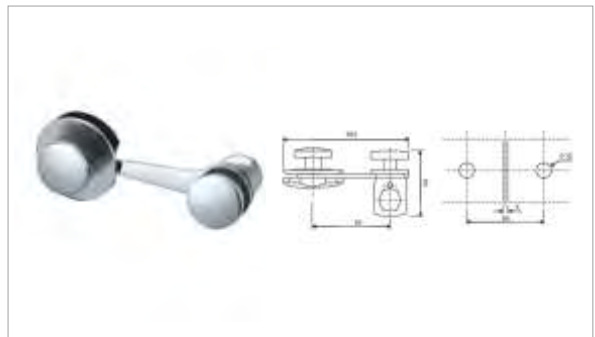
GDH-968



GDL-0011



GDL-0012



GDL-0021



GDL-0022



## Shower hinge & Glass lock(GDH,GDL)

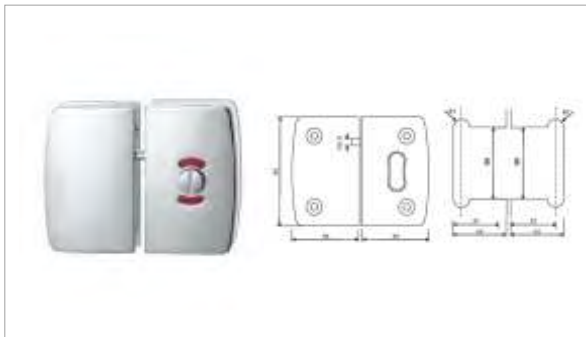
**GDL-0031**



**GDL-0041**



**GDL-0042**



**GDL-0051**



**GDL-0052**



**GDL-0061**

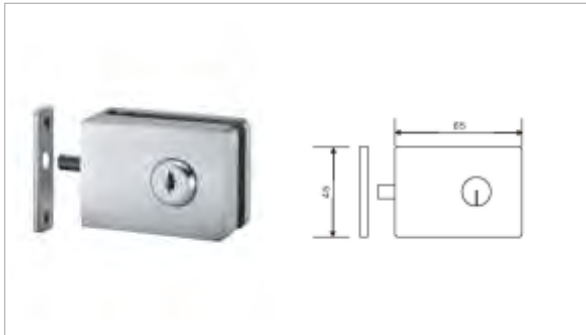


**GDL-0062**

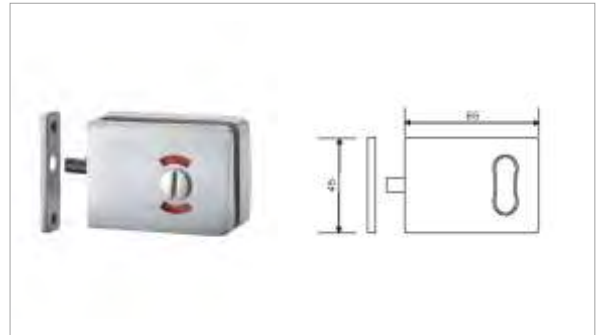


## Shower hinge & Glass lock(GDH,GDL)

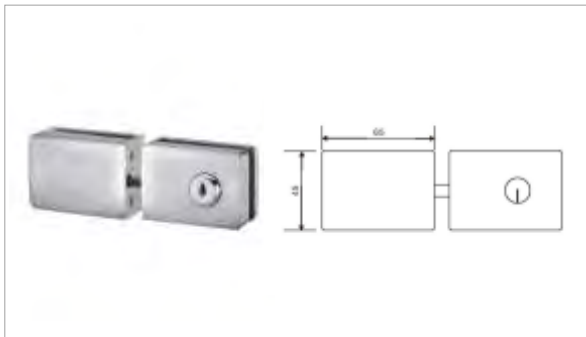
GDL-0071



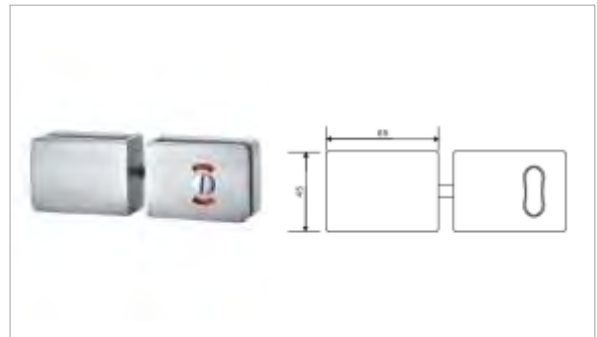
GDL-0072

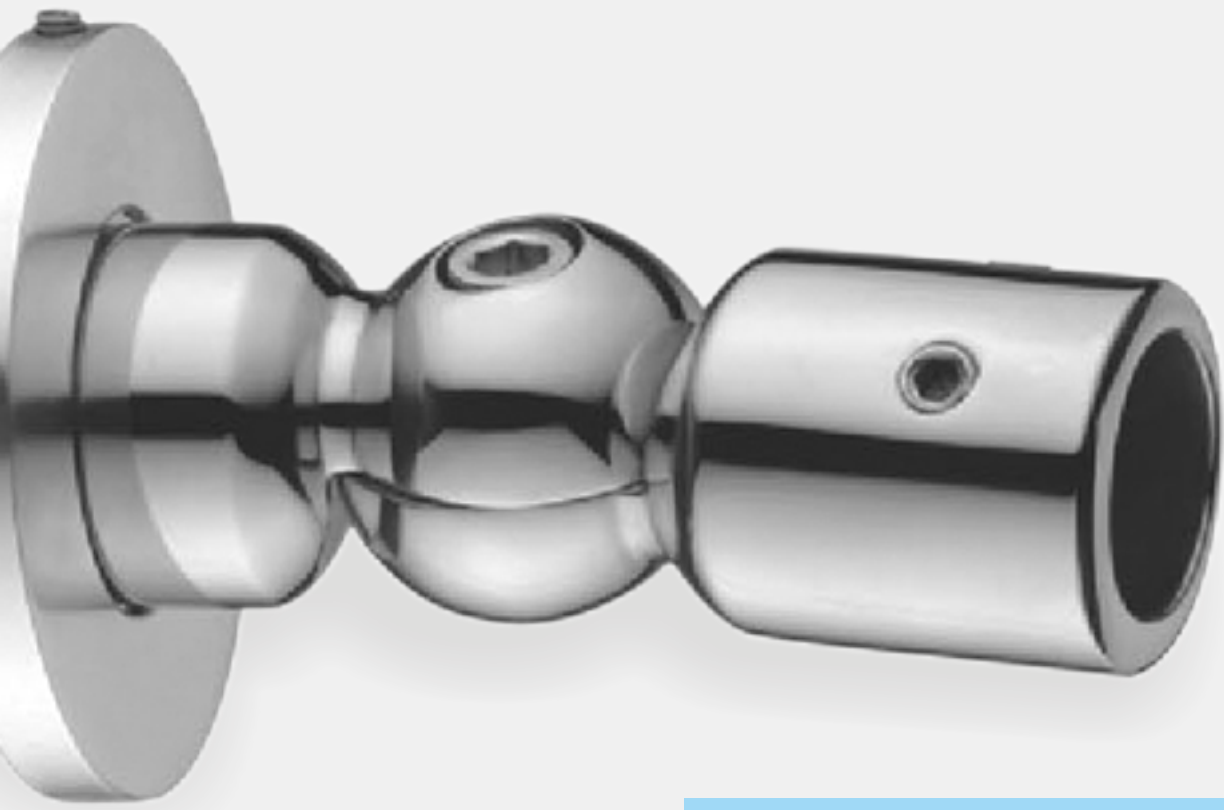


GDL-0081

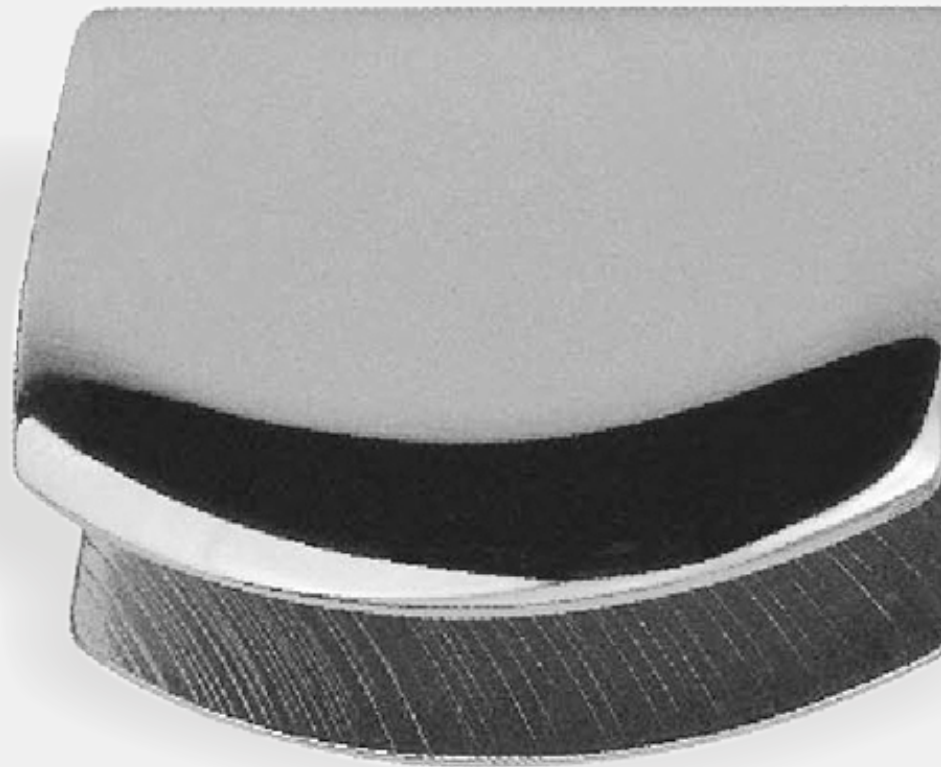


GDL-0082



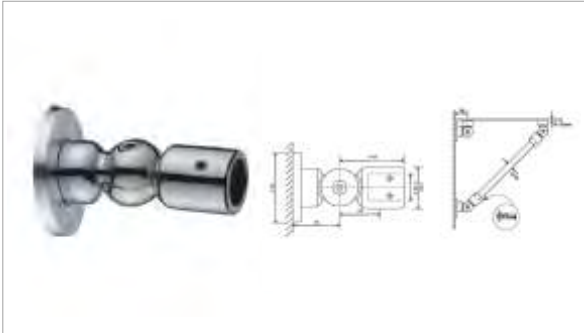


**Glass Shelf Holder**



## Glass Shelf Holder(GSH)

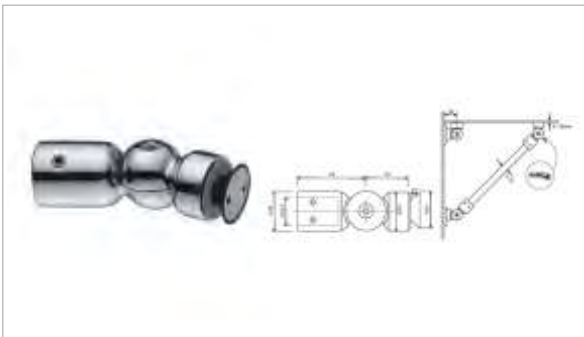
GSH-301



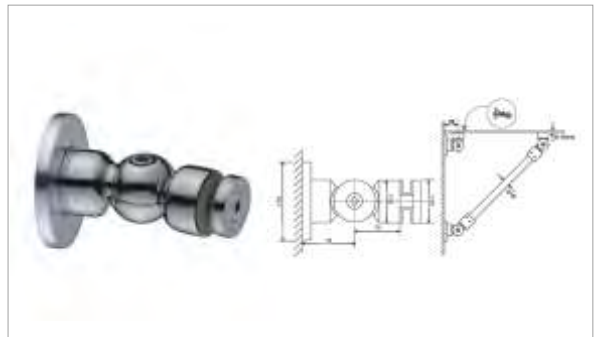
GSH-401



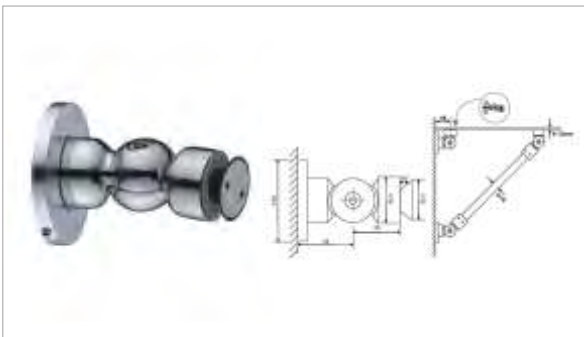
GSH-402



GSH-501

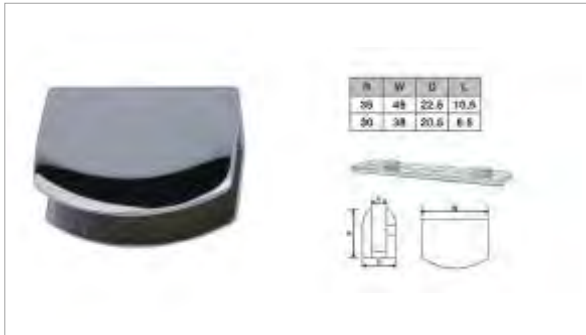


GSH-502



## Glass Shelf Holder(GSH)

**GSH-101**



**GSH-103**



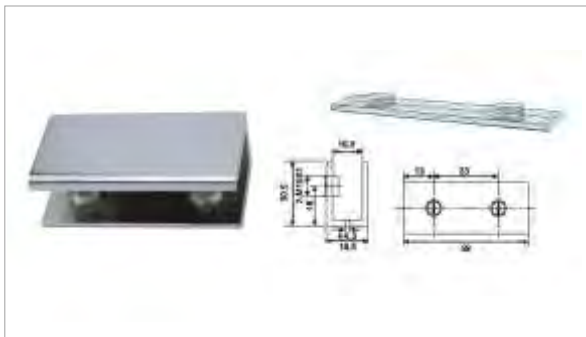
**GSH-104**



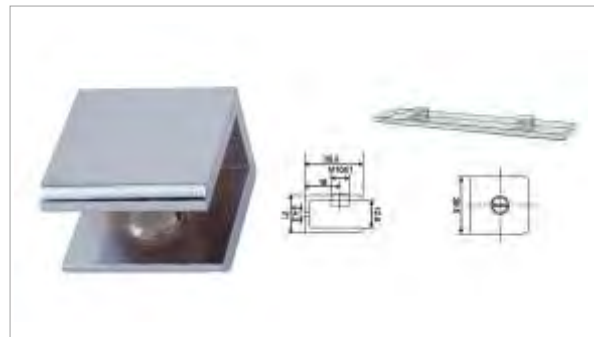
**GSH-105**



**GSH-106**



**GSH-107**



**GSH-201**



**GSH-202**





## Knighthood Accessories



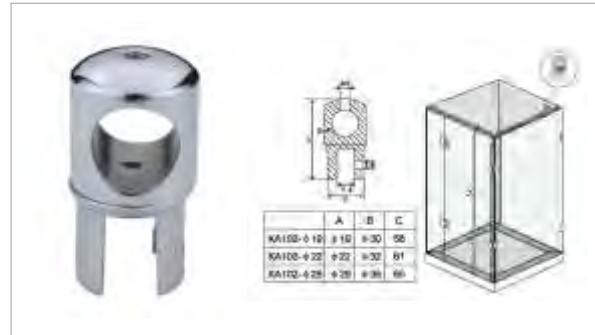


## Knighthead Accessories(KA,BCB)

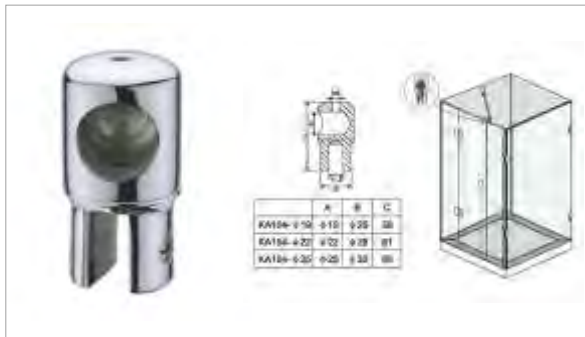
**KA-101**



**KA-102**



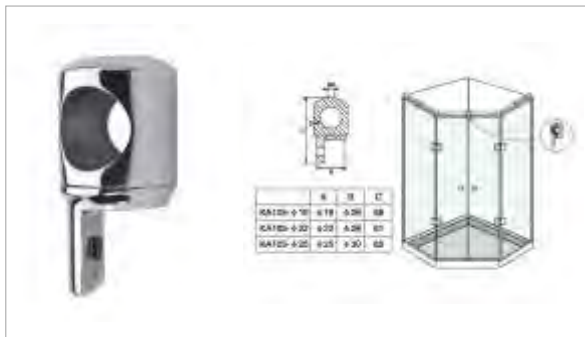
**KA-103**



**KA-104**



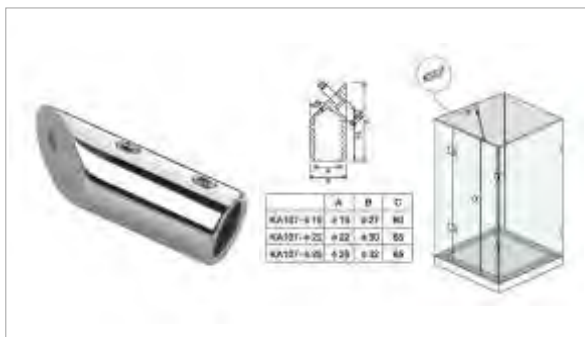
**KA-105**



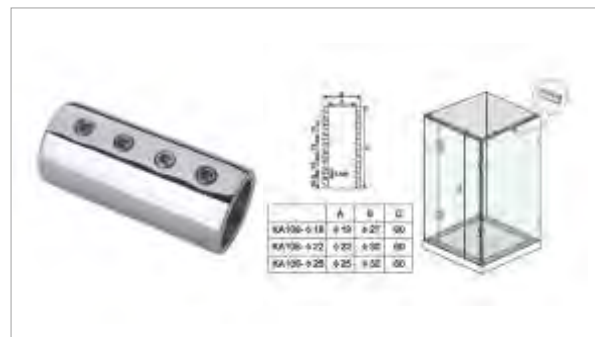
**KA-106**



**KA-107**

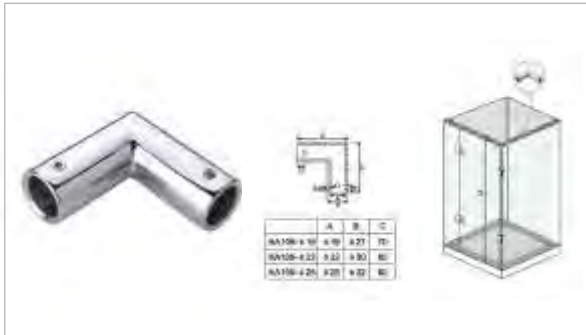


**KA-108**

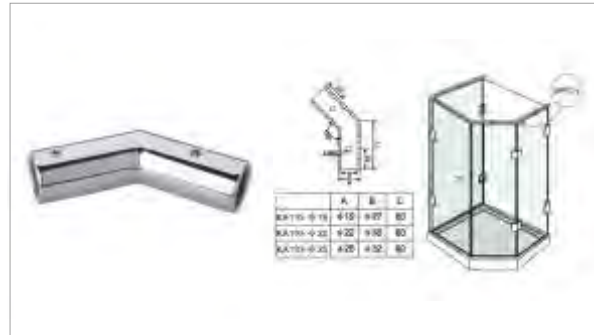


## Knighthead Accessories(KA,BCB)

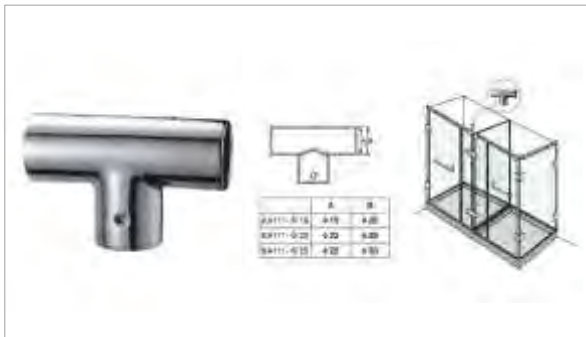
KA-109



KA-110



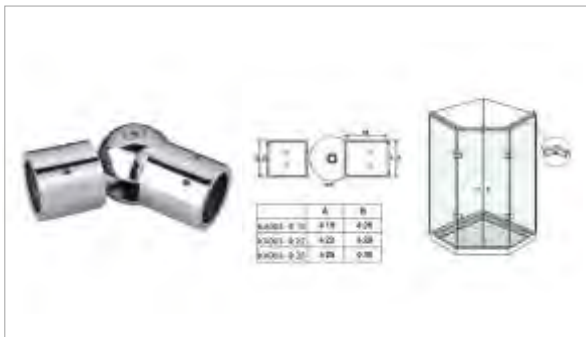
KA-111



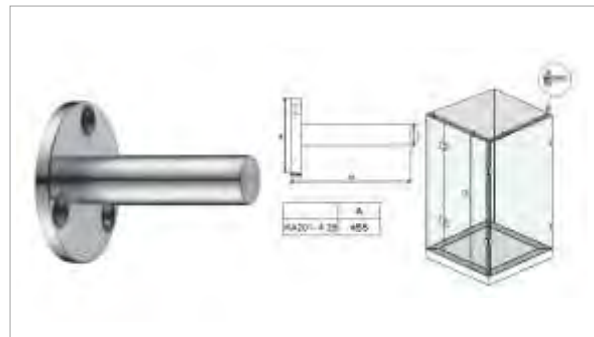
KA-002



KA-003



KA-201



KA-202



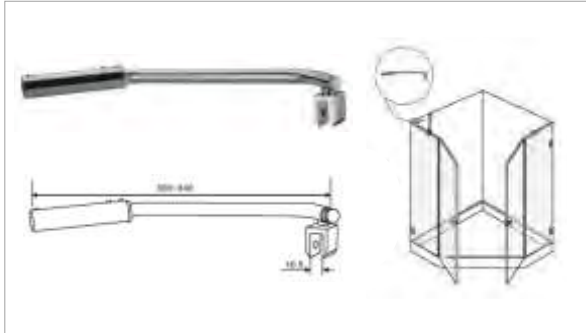
KA-203



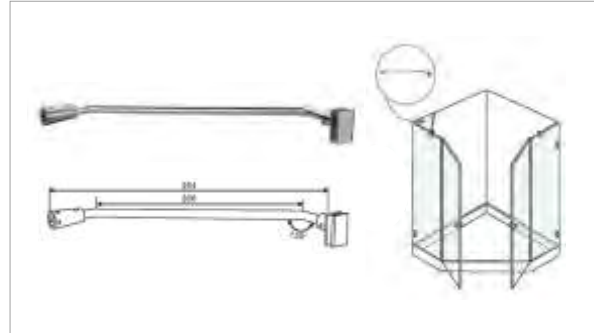


## Knighthead Accessories(KA,BCB)

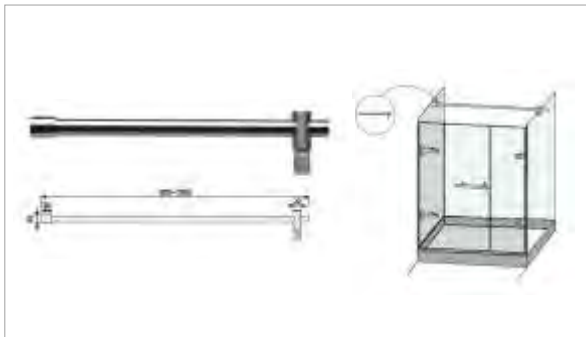
BCB-08



BCB-09



BCB-5017



BCB-5018



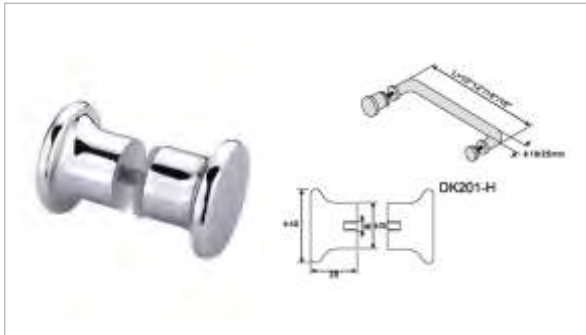


## **Glass Door Knob & Handle**



## Glass Door Knob & Handle(DK,BH)

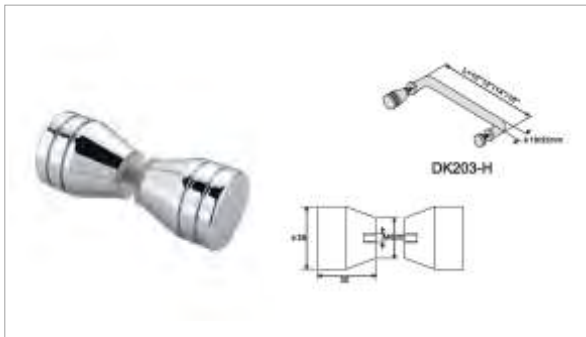
DK201



DK202



DK203



DK204



DK205



DK206



DK207

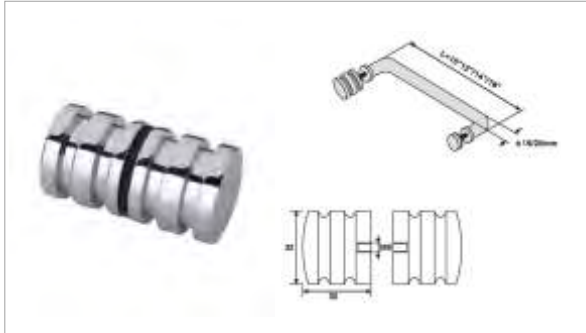


DK208

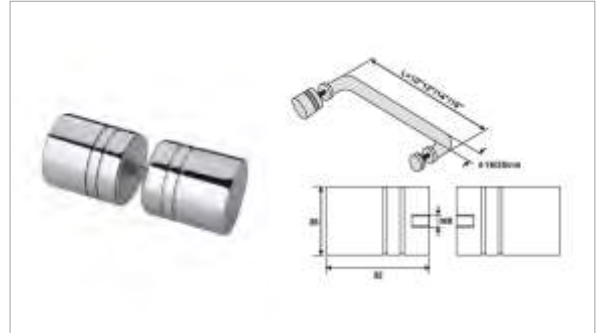


## Glass Door Knob & Handle(DK,BH)

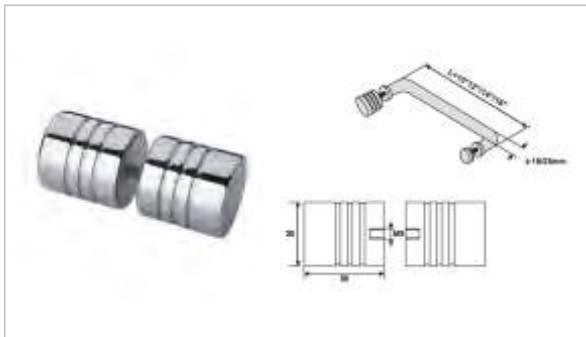
**DK209**



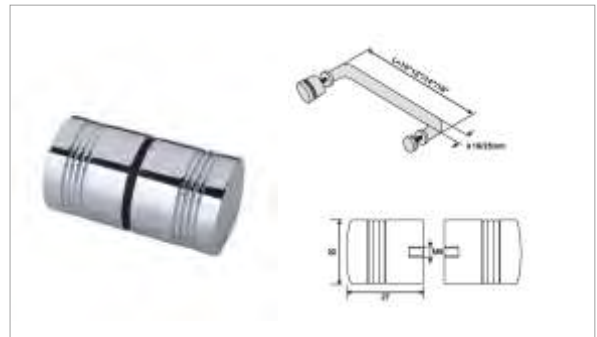
**DK210**



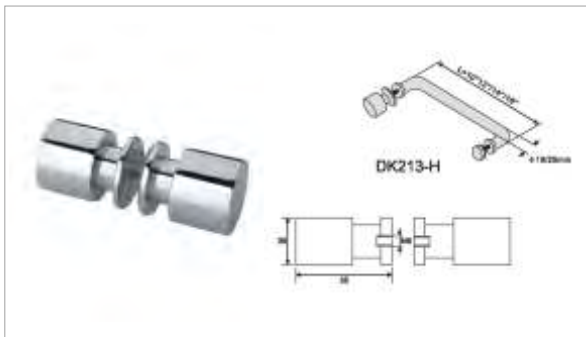
**DK211**



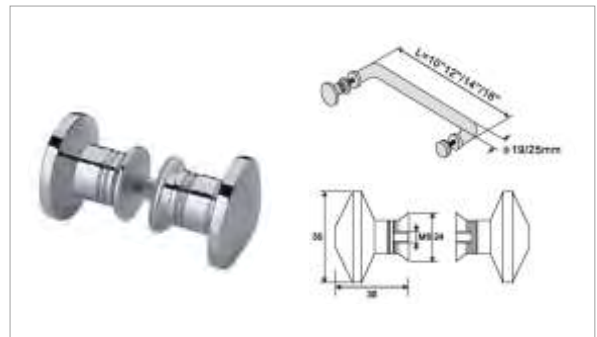
**DK212**



**DK213**



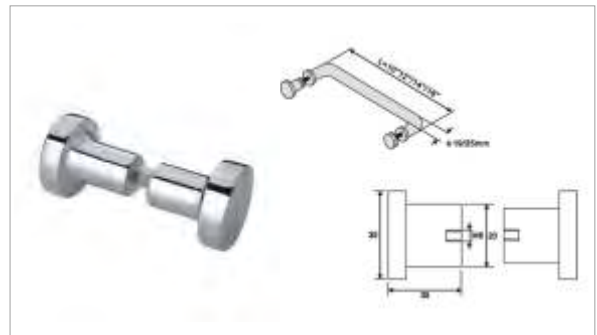
**DK214**



**DK215**

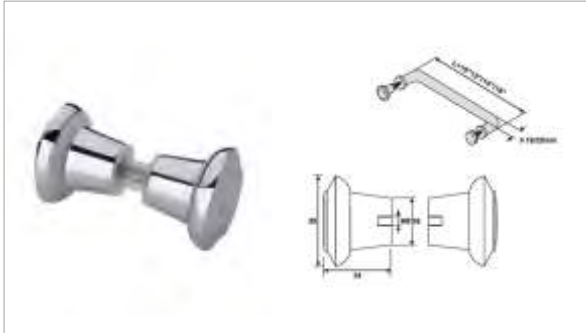


**DK216**



## Glass Door Knob & Handle(DK,BH)

DK217



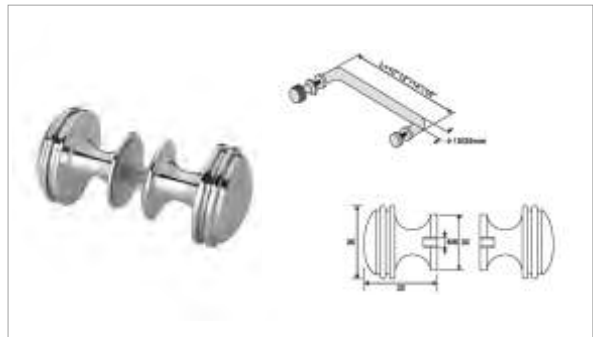
DK218



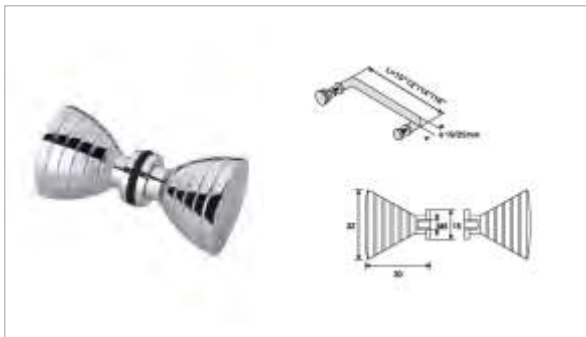
DK219



DK220



DK221



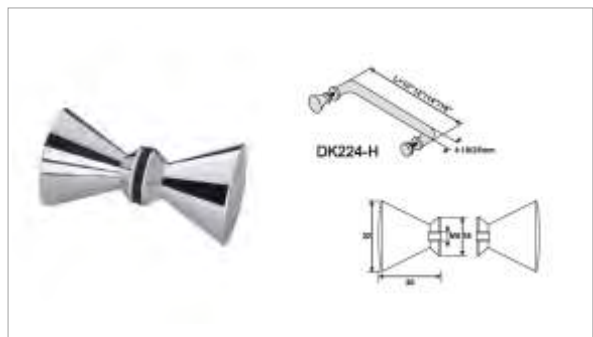
DK222



DK223



DK224



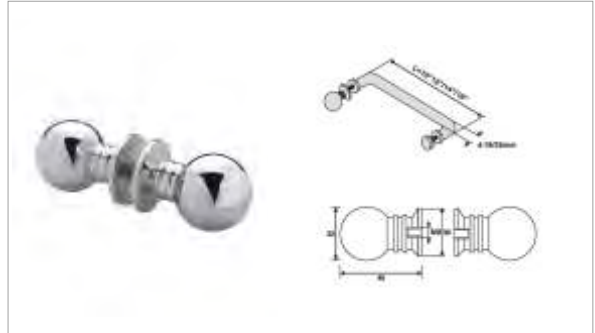


## Glass Door Knob & Handle(DK,BH)

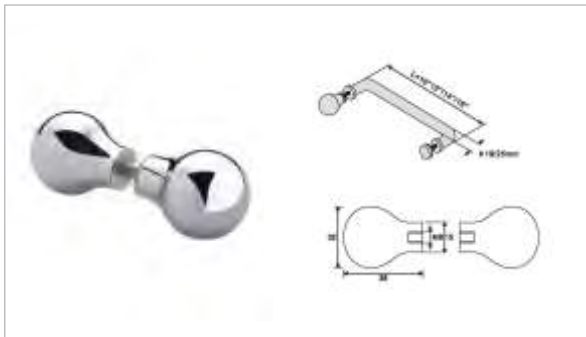
**DK225**



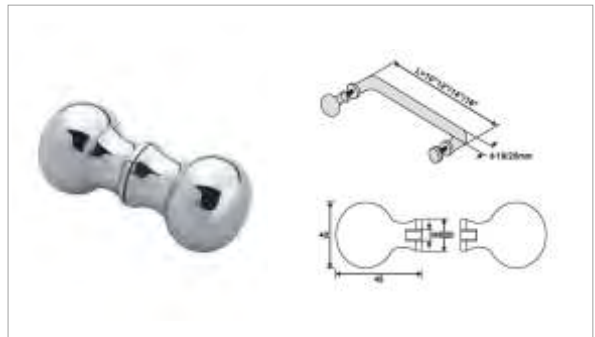
**DK226**



**DK227**



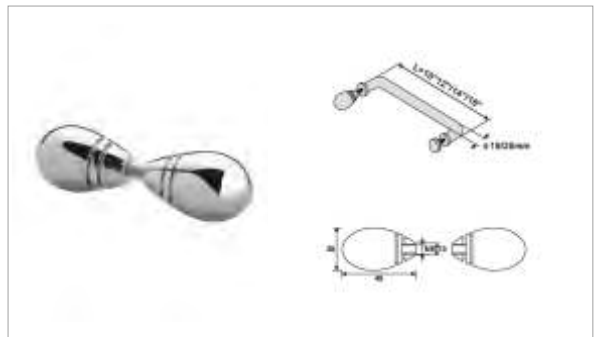
**DK228**



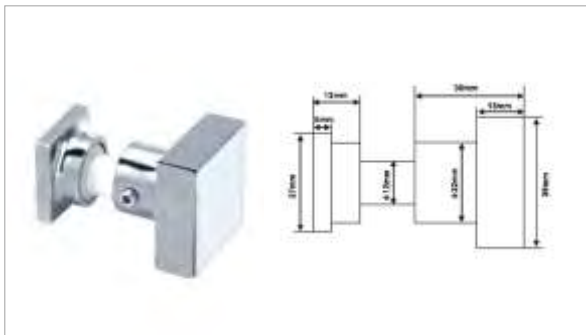
**DK229**



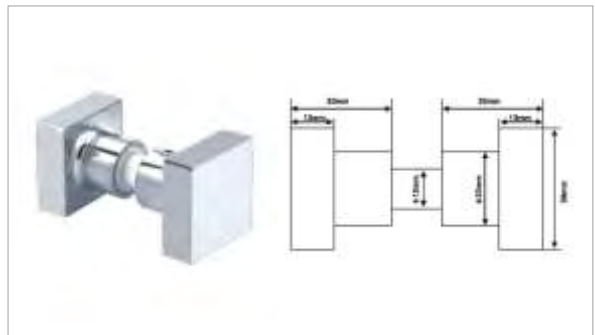
**DK230**



**DK231**

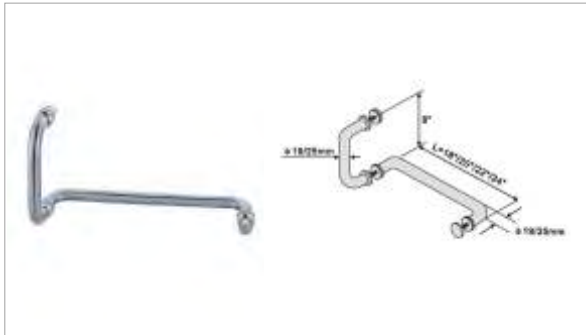


**DK232**

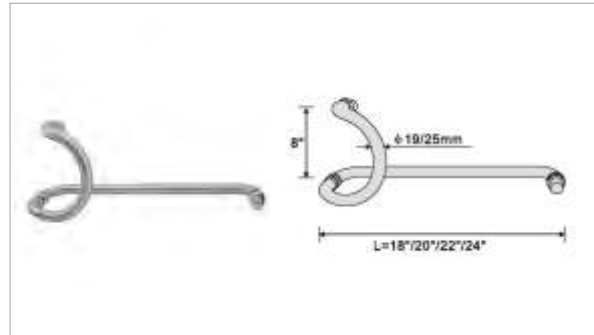


## Glass Door Knob & Handle(DK,BH)

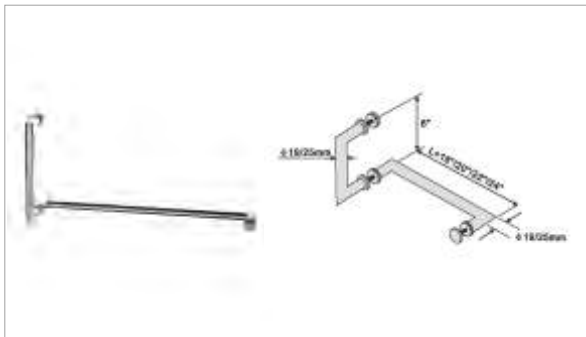
BH-001



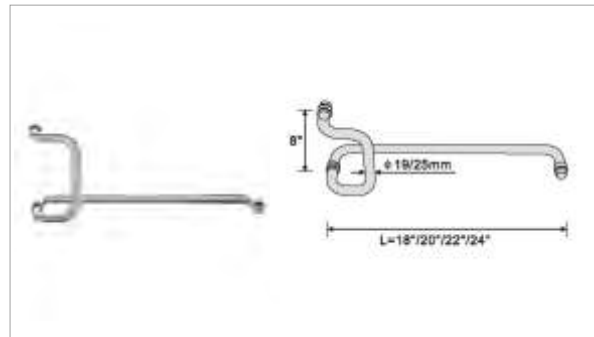
BH-002



BH-008



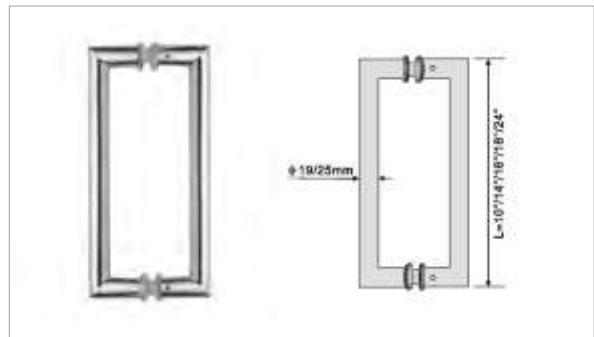
BH-009



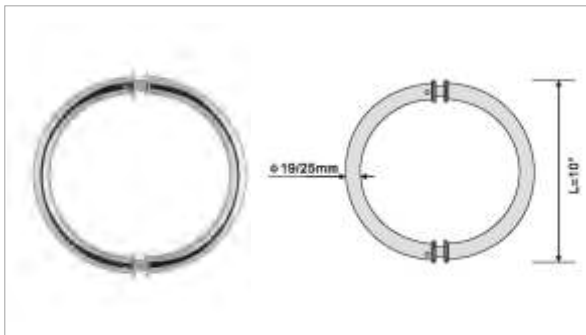
BH-010



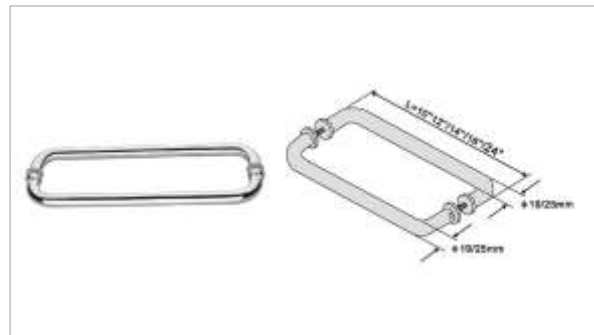
BH-011



BH-012

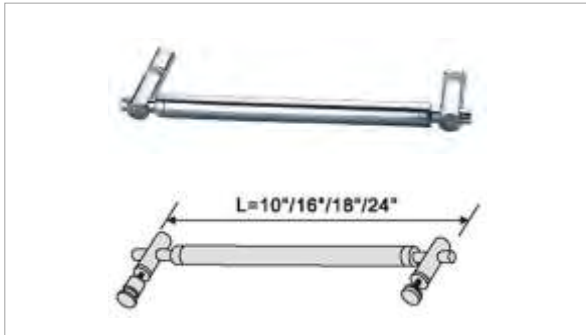


BH-004

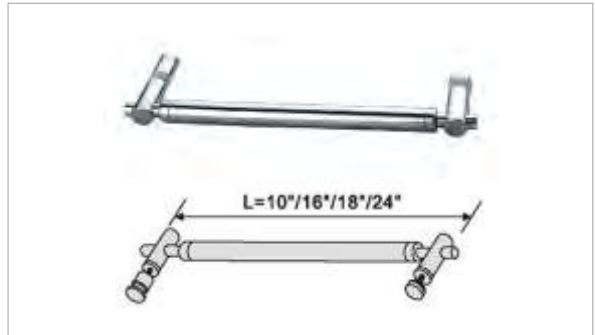


## Glass Door Knob & Handle(DK,BH)

BH-013



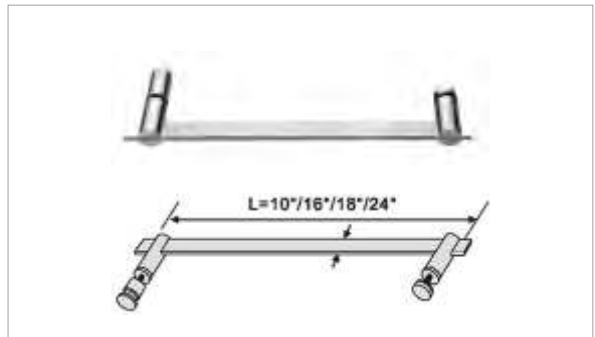
BH-014



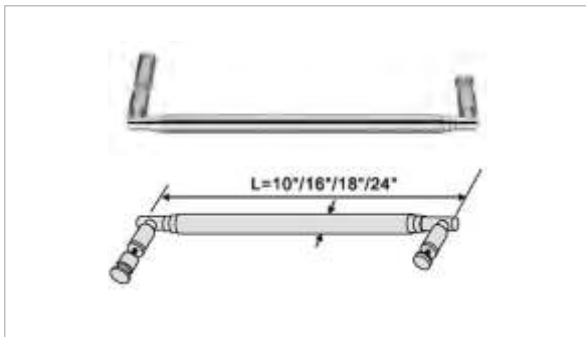
BH-015



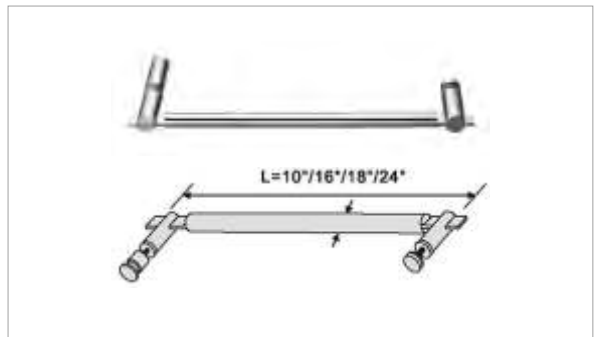
BH-016



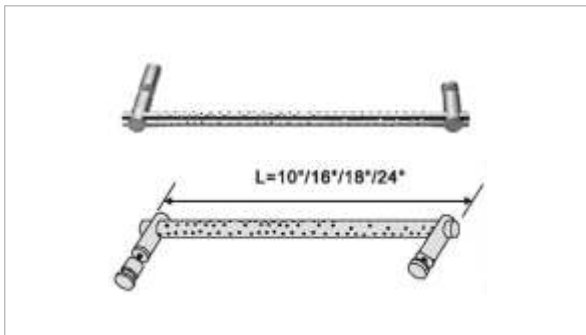
BH-017



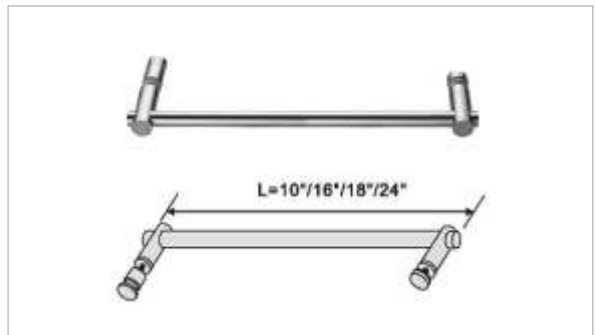
BH-018



BH-019

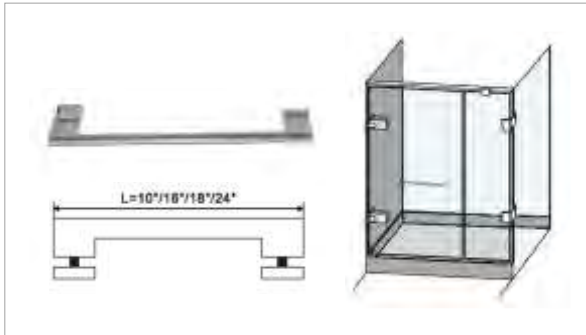


BH-020

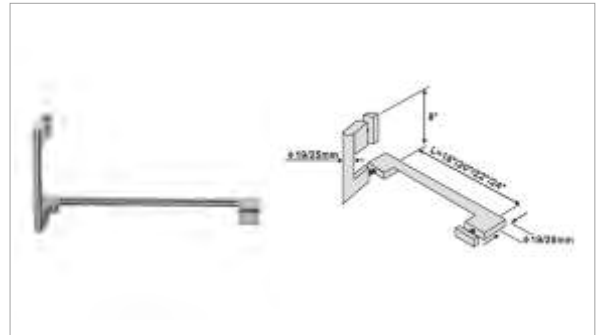


## Glass Door Knob & Handle(DK,BH)

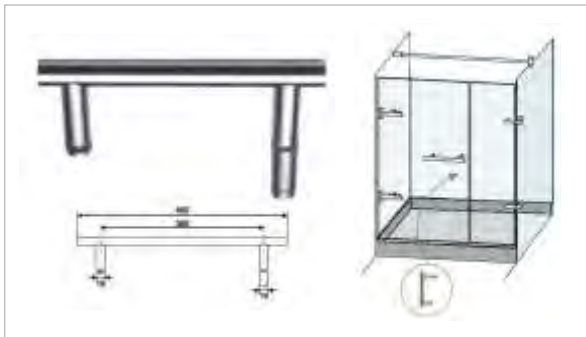
BH-021



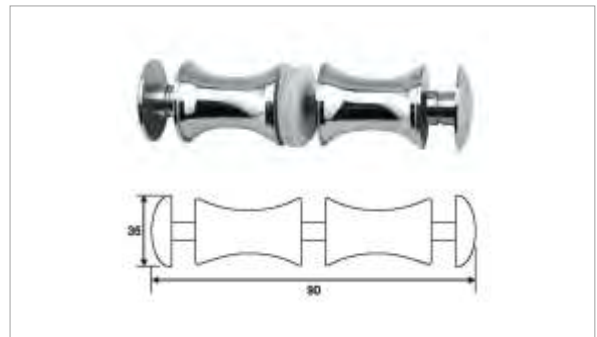
BH-022



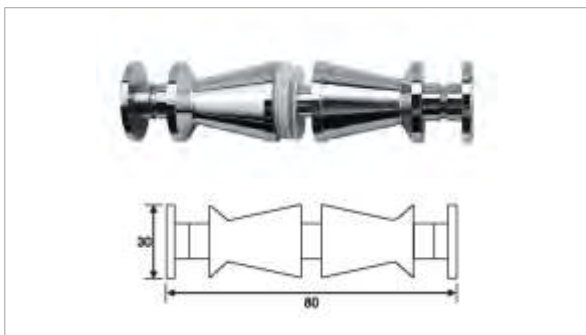
BH-023



DK101



DK102



DK103

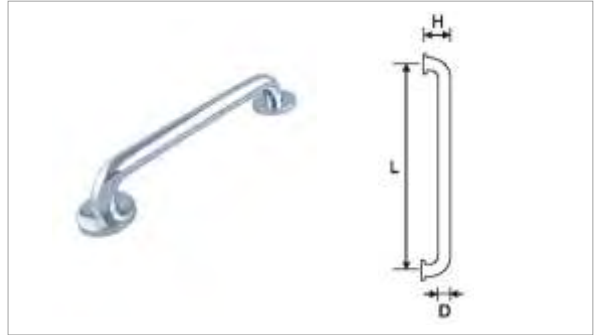


## Glass Door Knob & Handle(DK,BH)

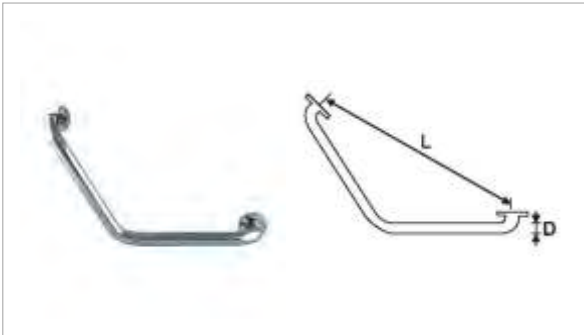
BH-005



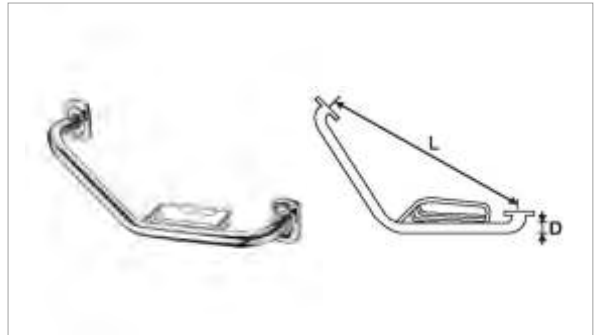
BH-006

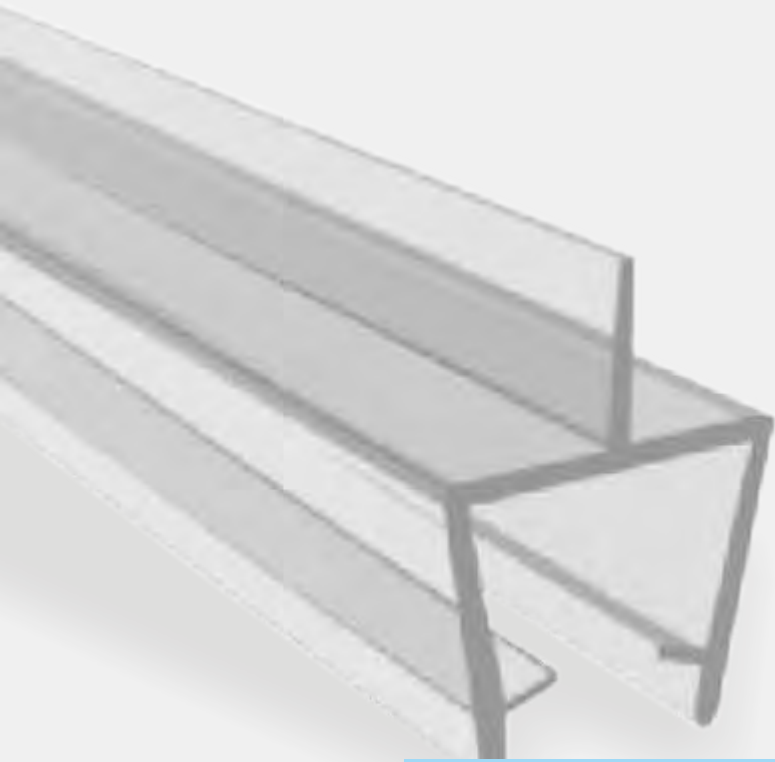


BH-007

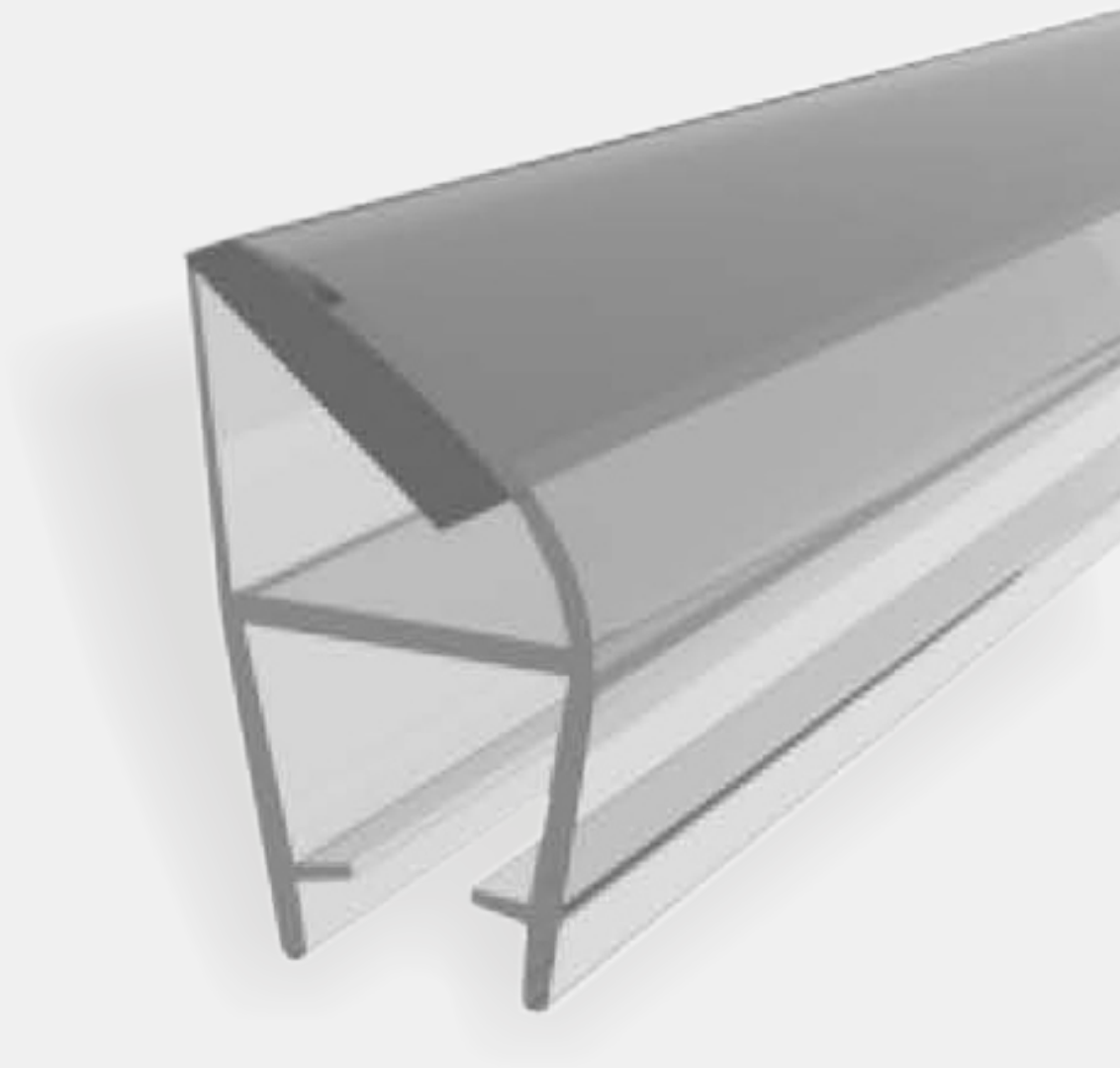


BH-0080



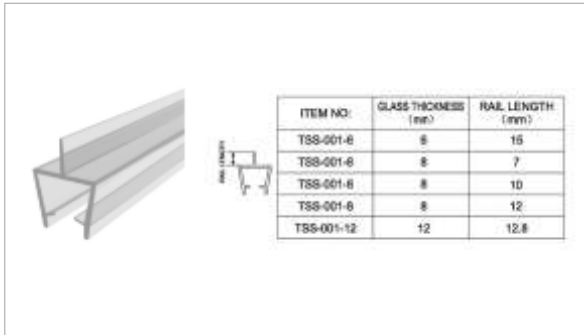


**Translucent Sealing Strip**

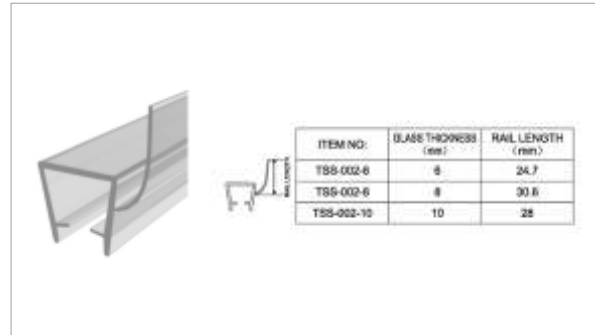


## Translucent Sealing Strip(TSS)

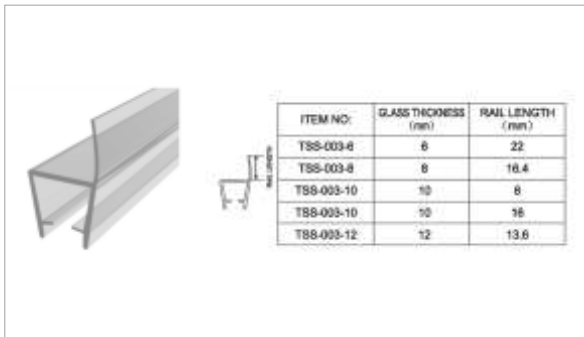
**TSS-001**



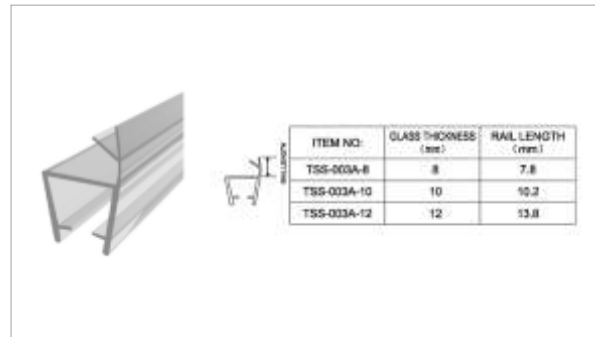
**TSS-002**



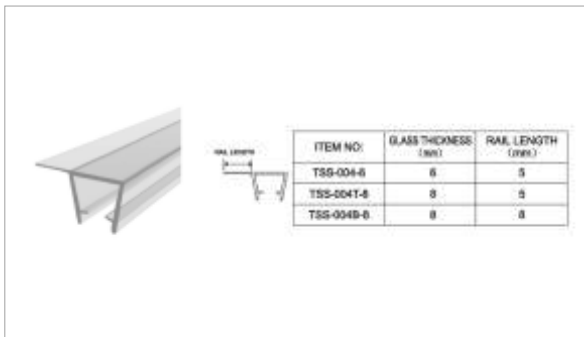
**TSS-003**



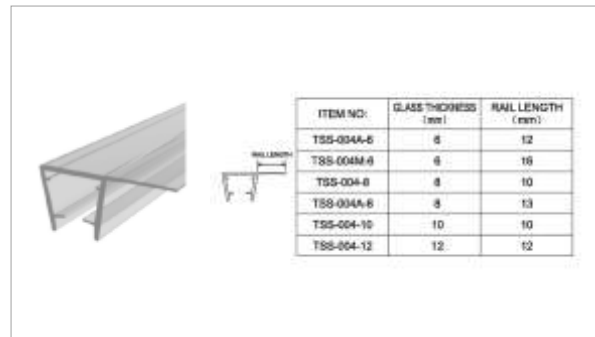
**TSS-003A**



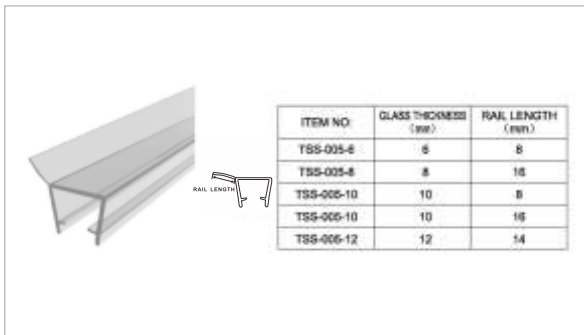
**TSS-004**



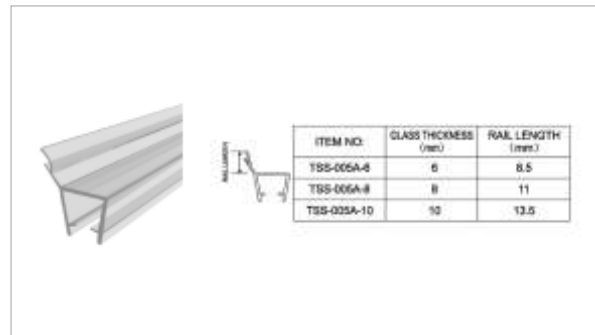
**TSS-004A**



**TSS-005**

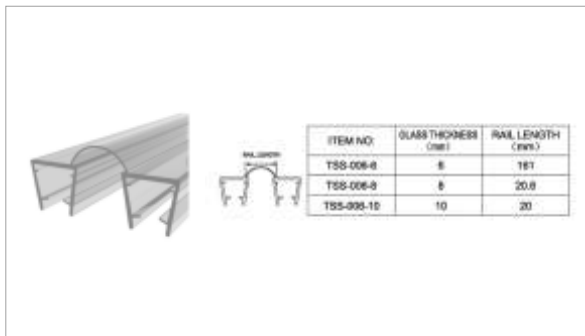


**TSS-005A**

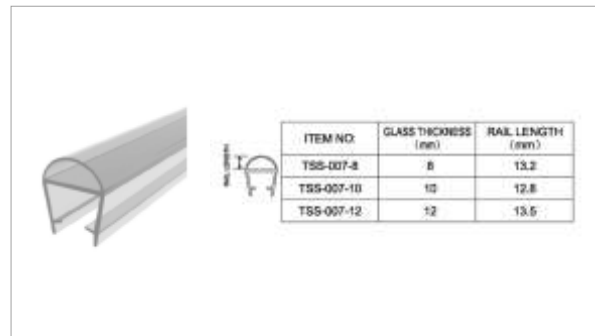


## Translucent Sealing Strip(TSS)

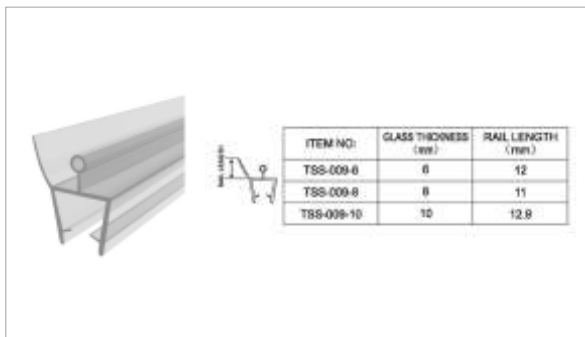
TSS-006



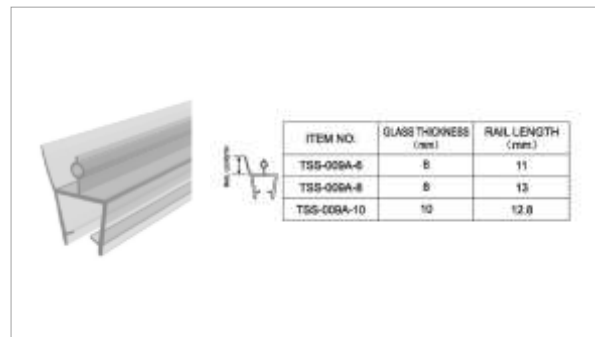
TSS-007



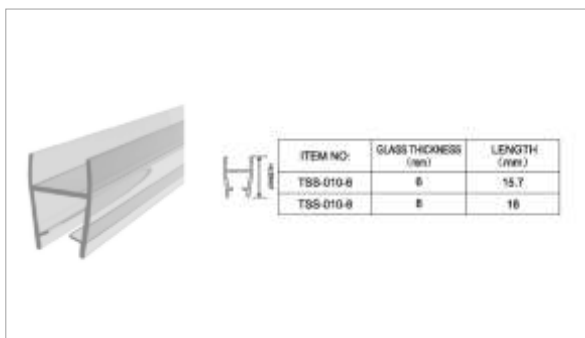
TSS-009



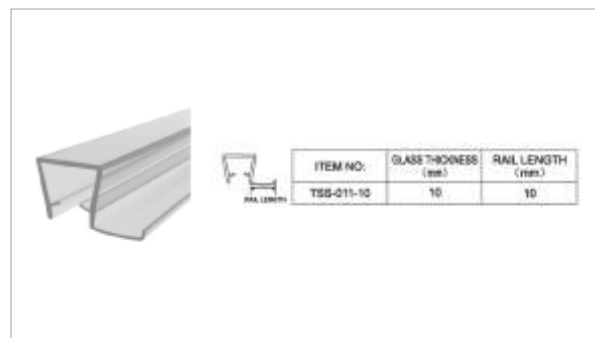
TSS-009A



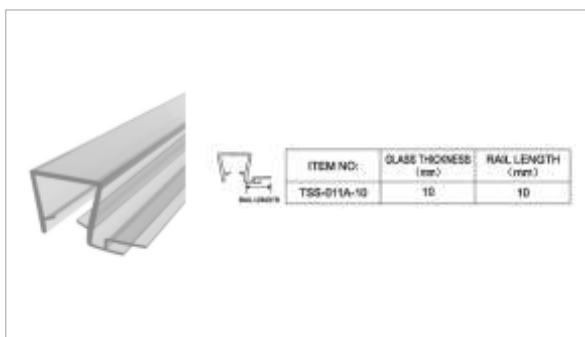
TSS-010



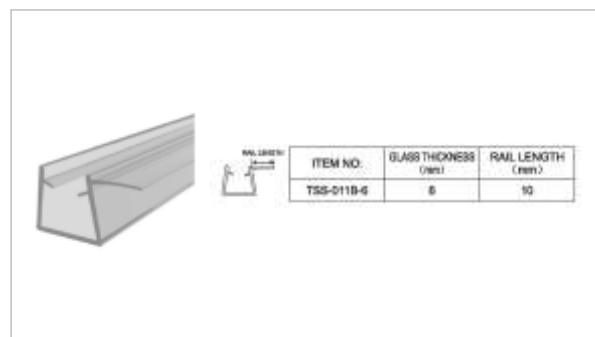
TSS-011



TSS-011A



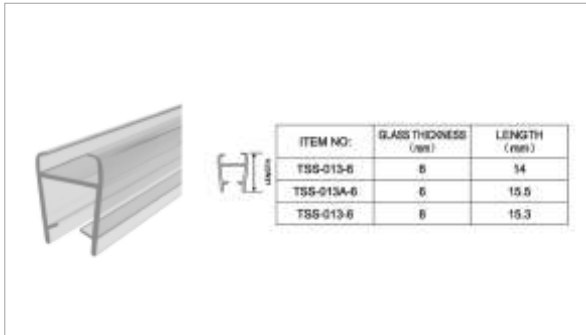
TSS-011B



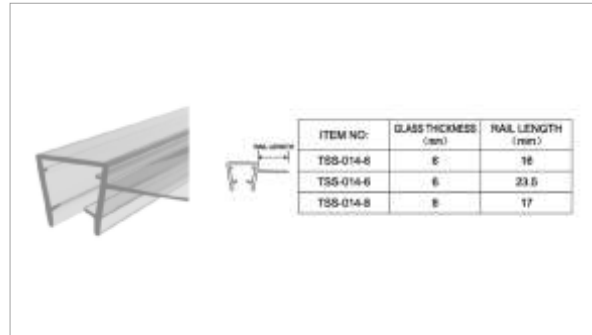


## Translucent Sealing Strip(TSS)

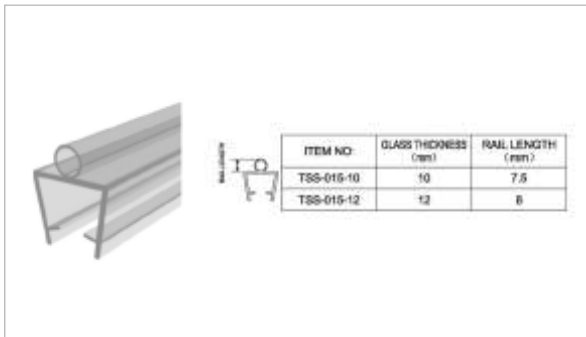
**TSS-013**



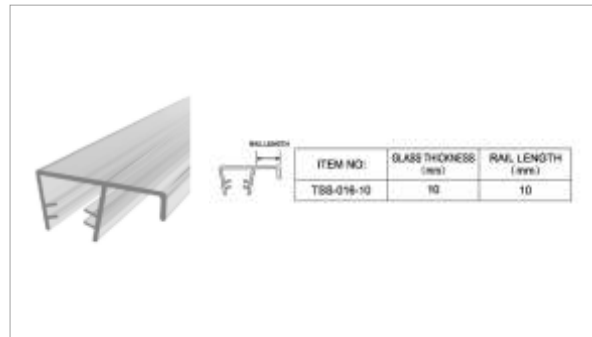
**TSS-014**



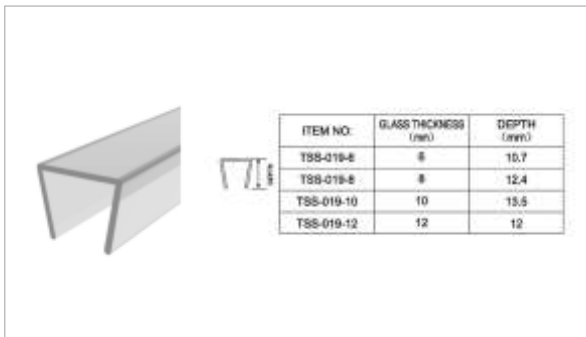
**TSS-015**



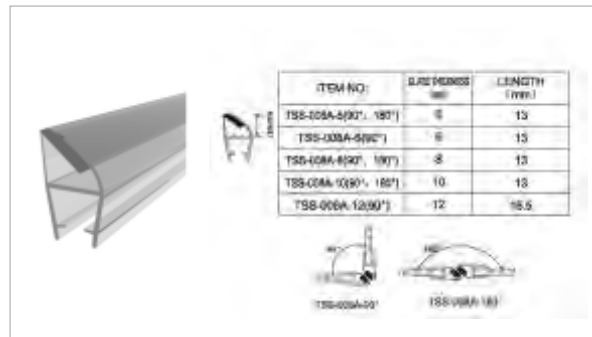
**TSS-016**



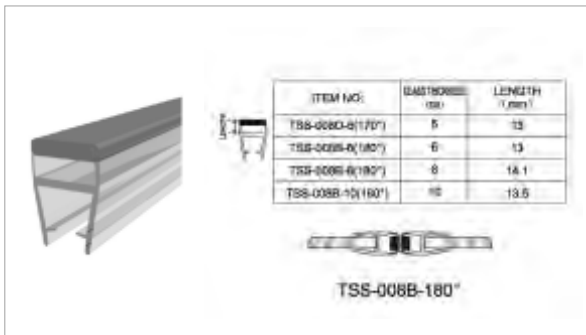
**TSS-019**



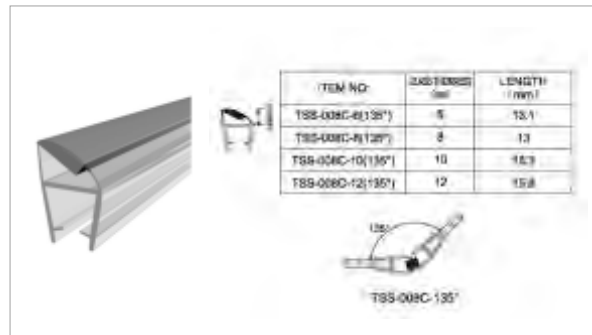
**TSS-008A**



**TSS-008B**

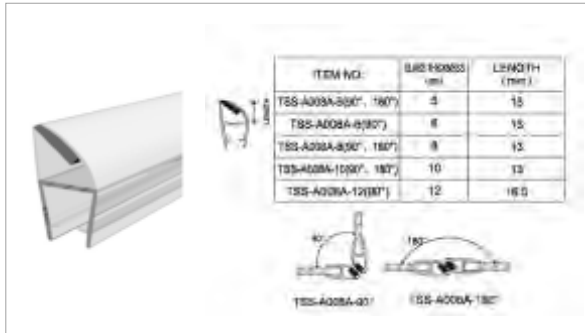


**TSS-008C**

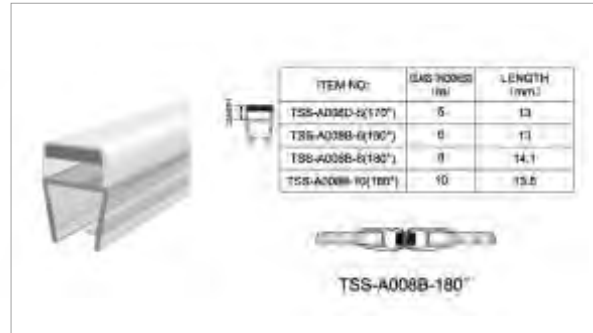


## Translucent Sealing Strip(TSS)

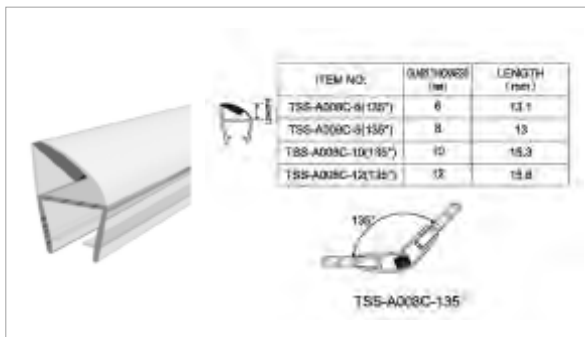
### TSS-A008A



### TSS-A008B



### TSS-A008C



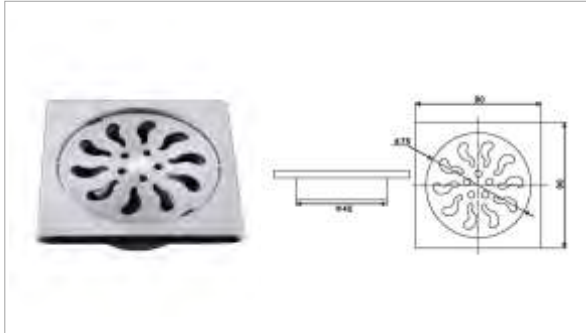


**Floor Trap Gratine**



## Floor Trap Gratine(FTG)

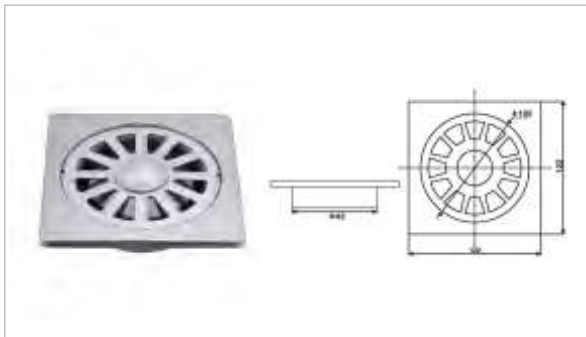
FTG-102SS



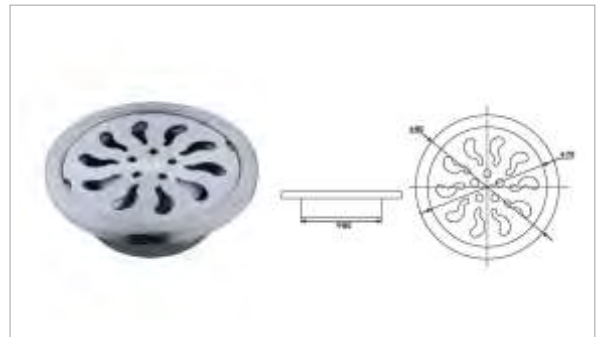
FTG-103SS



FTG-104SS



FTG-202SS



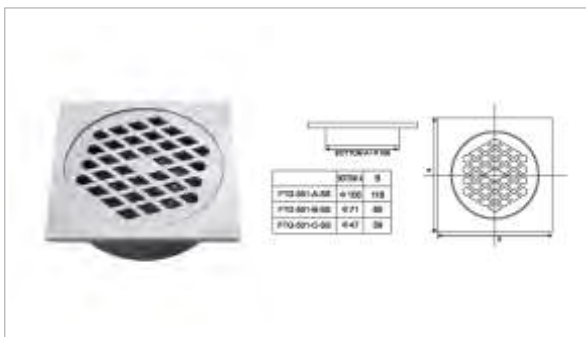
FTG-203SS



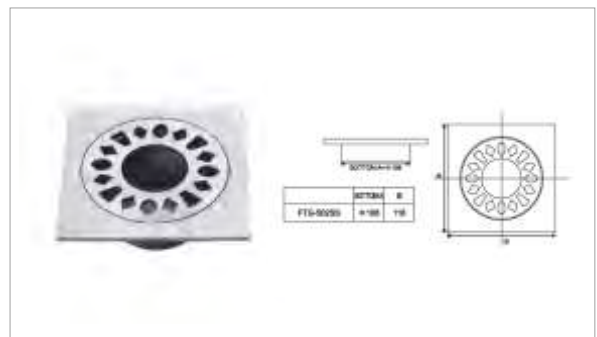
FTG-204SS



FTG-501SS

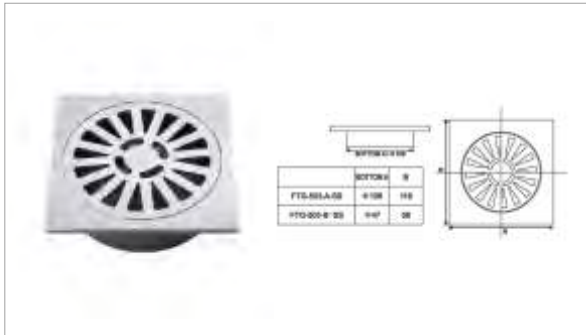


FTG-502SS

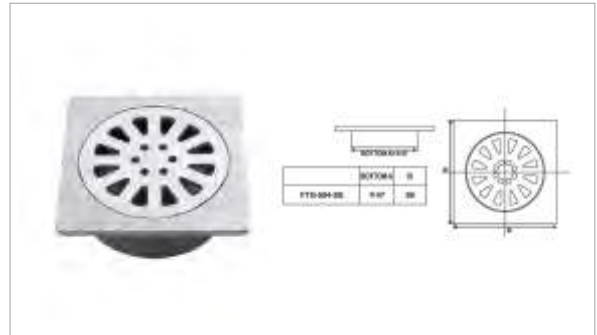


## Floor Trap Gratine(FTG)

**FTG-503SS**



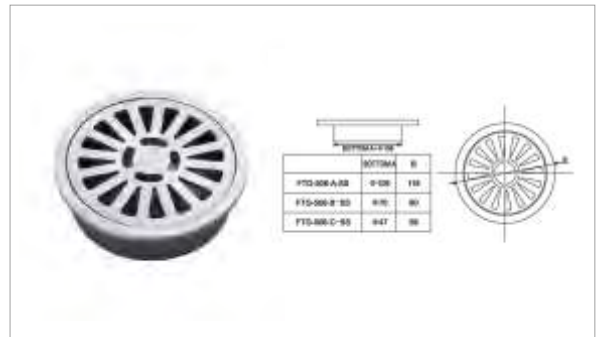
**FTG-504SS**



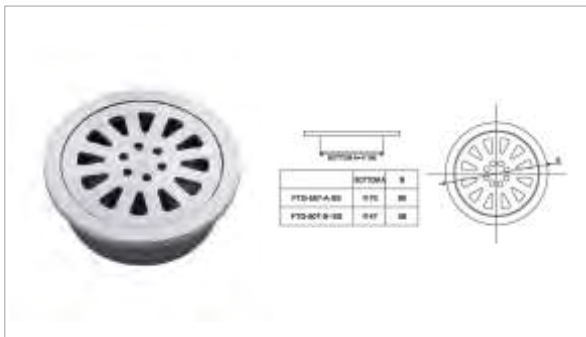
**FTG-505SS**



**FTG-506SS**



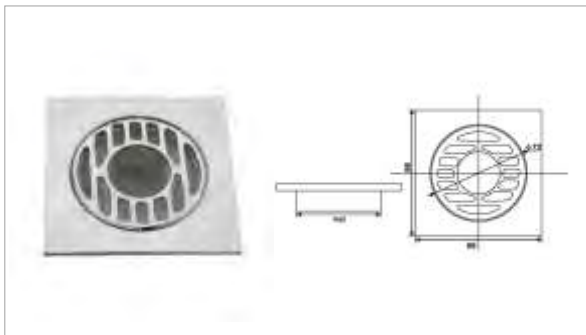
**FTG-507SS**



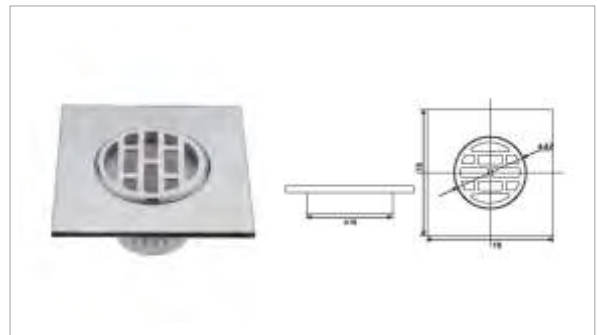
**FTG-308BR**



**FTG-305BR**



**FTG-303BR**

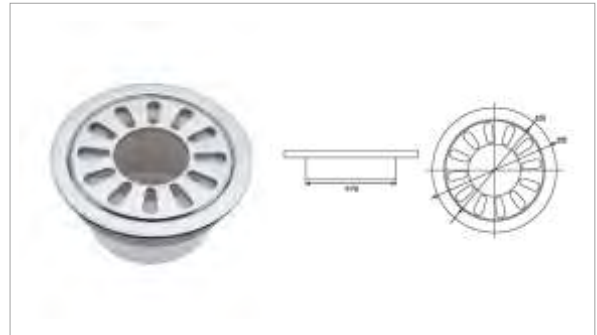


## Floor Trap Gratine(FTG)

FTG-301BR



FTG-302BR





## Swing Door System

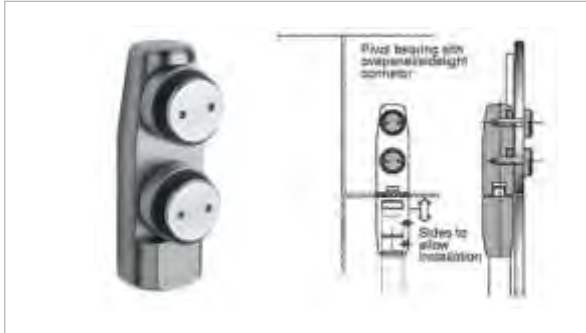




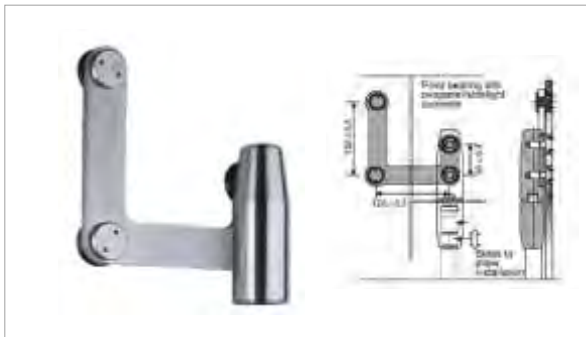


## Swing Door System

**SWC-001A**



**SWC-001B**



**SWC-002U**



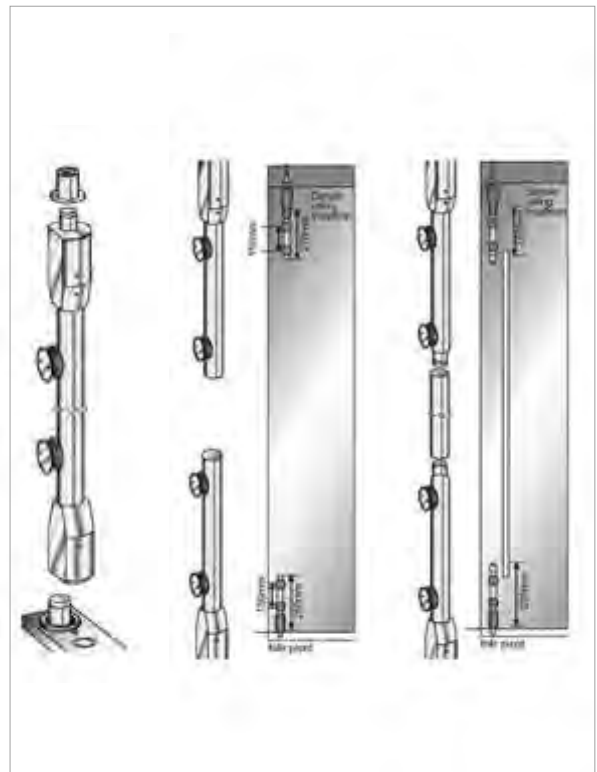
**SWC-002D**



**Installation diagram:**

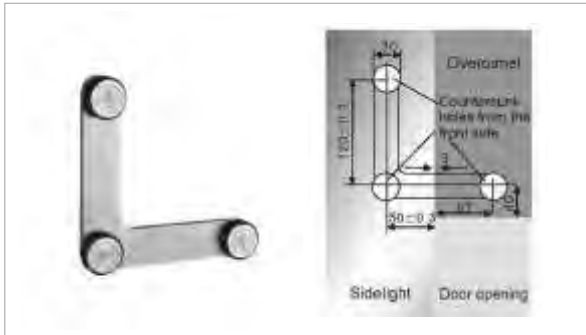


**Installation diagram:**



## Swing Door System

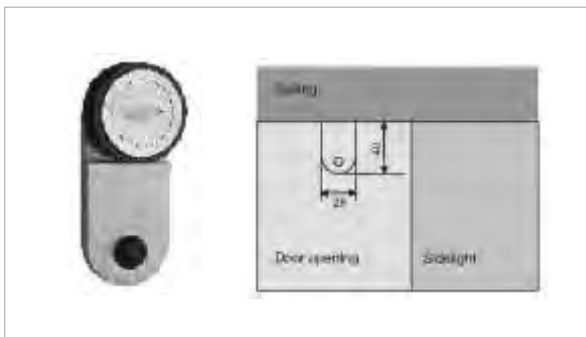
SWC-003A



SWC-003B



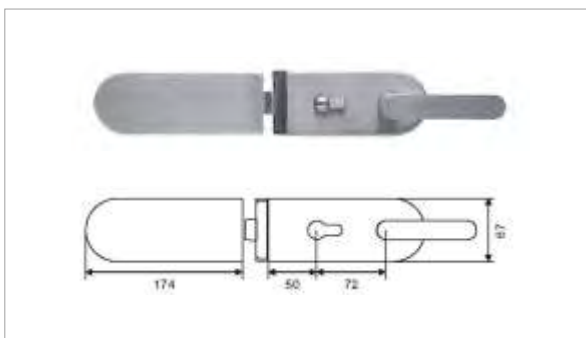
SWC-003C



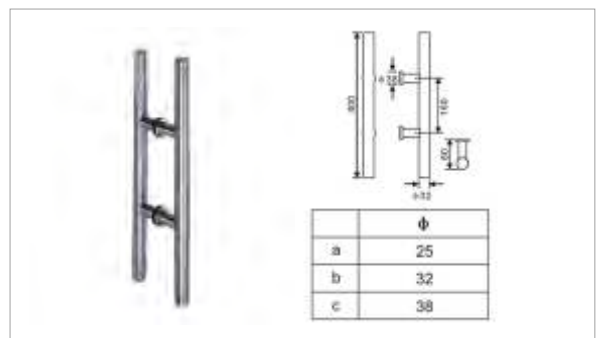
SWC-003D



GL002-B



PH-205



Installation diagram:



Installation diagram:

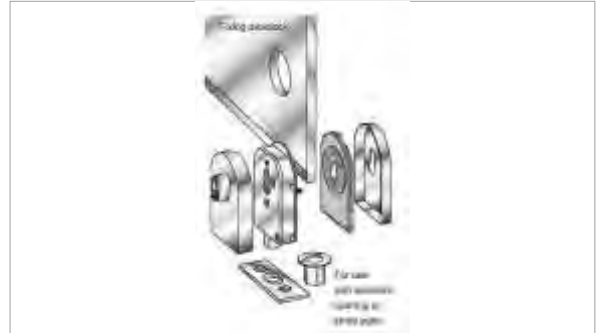


## Swing Door System

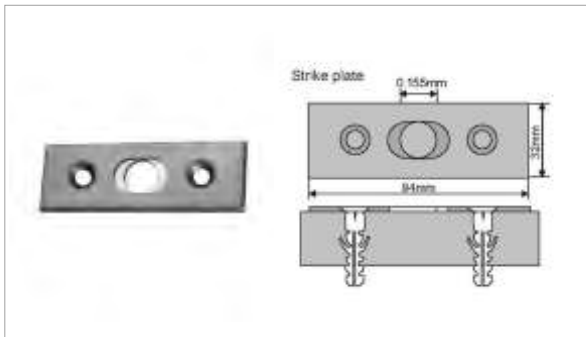
**SWL-004A**



**Installation diagram:**



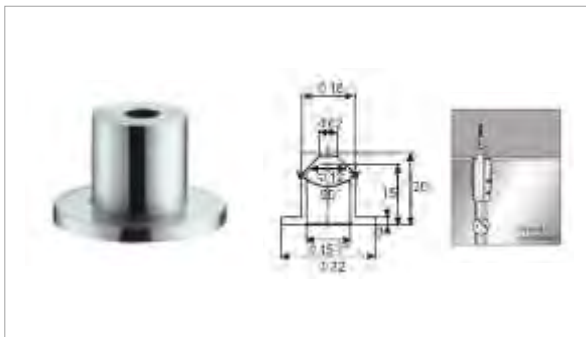
**SWL-004B**



**DS003SS**



**SWC-002U-2**

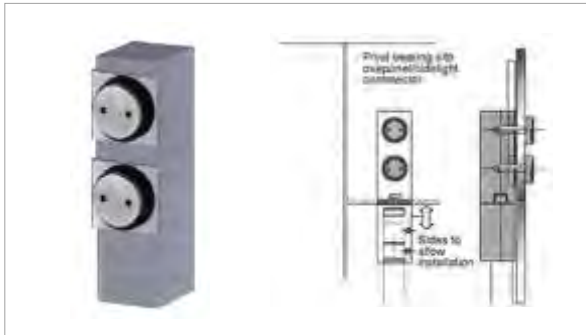


**TOOL-001A**



## Swing Door System

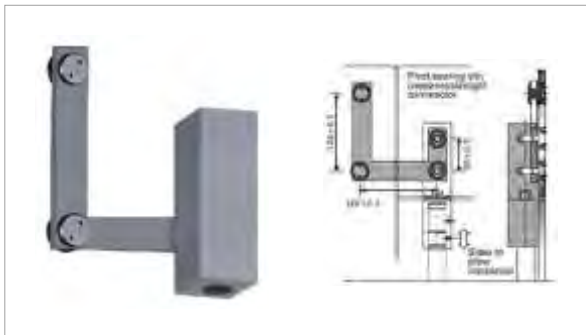
SWS-001A



Installation diagram:



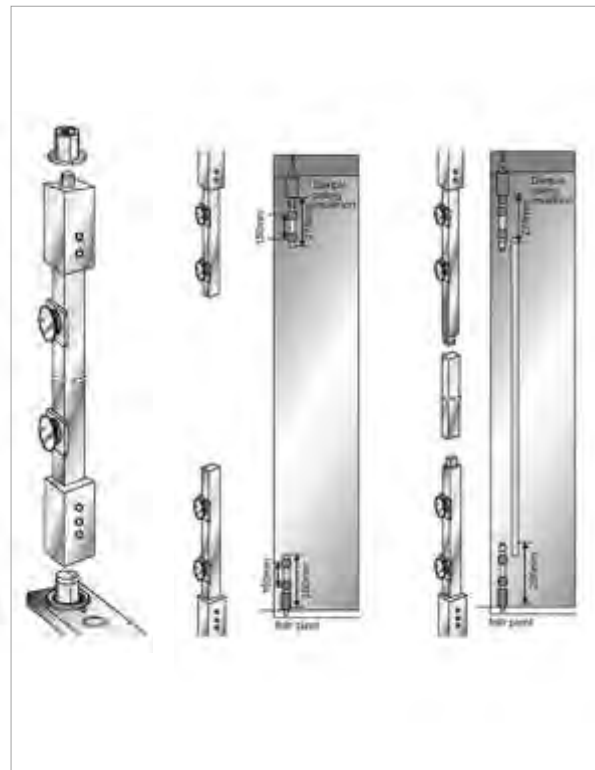
SWS-001B



SWS-002U



Installation diagram:

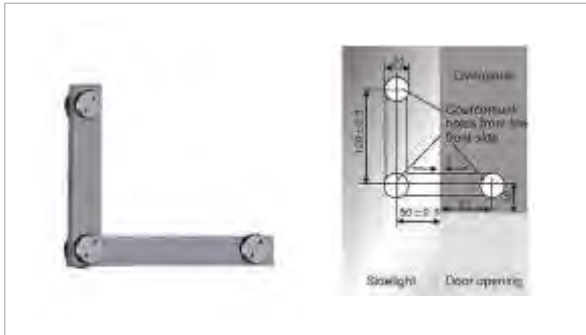


SWS-002D

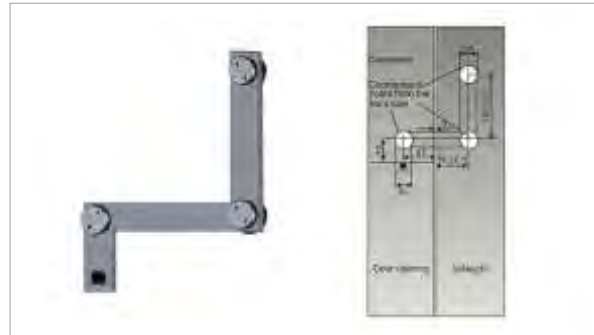


## Swing Door System

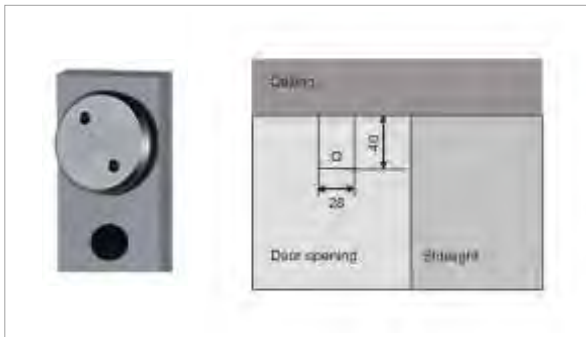
**SWS-003A**



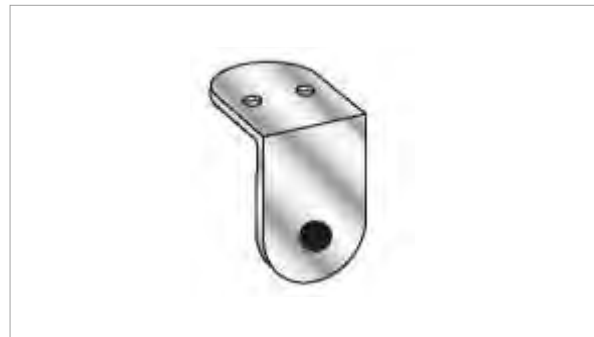
**SWS-003B**



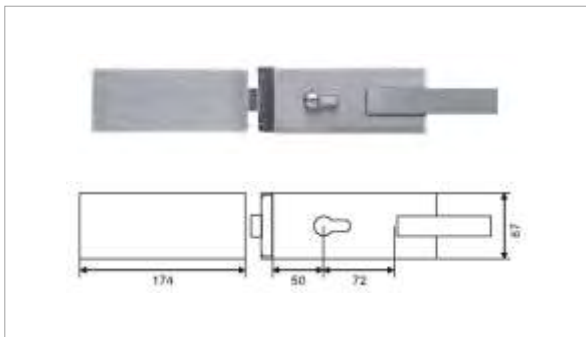
**SWS-003C**



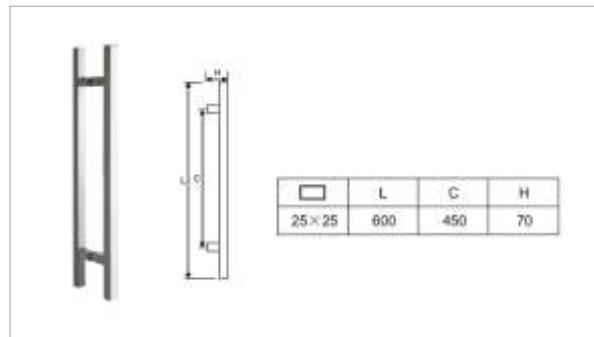
**SWS-003D**



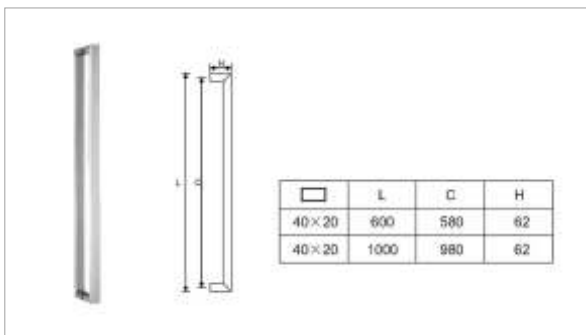
**GL005-B**



**PH285**

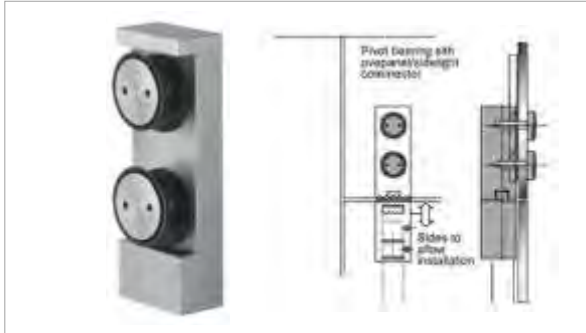


**PH286**



## Swing Door System

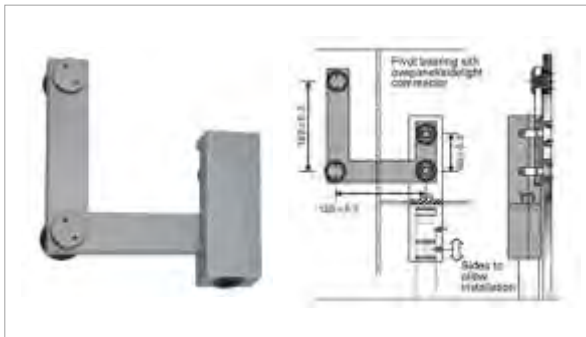
SWE-001A



Installation diagram:



SWE-001B



SWE-002U



Installation diagram:



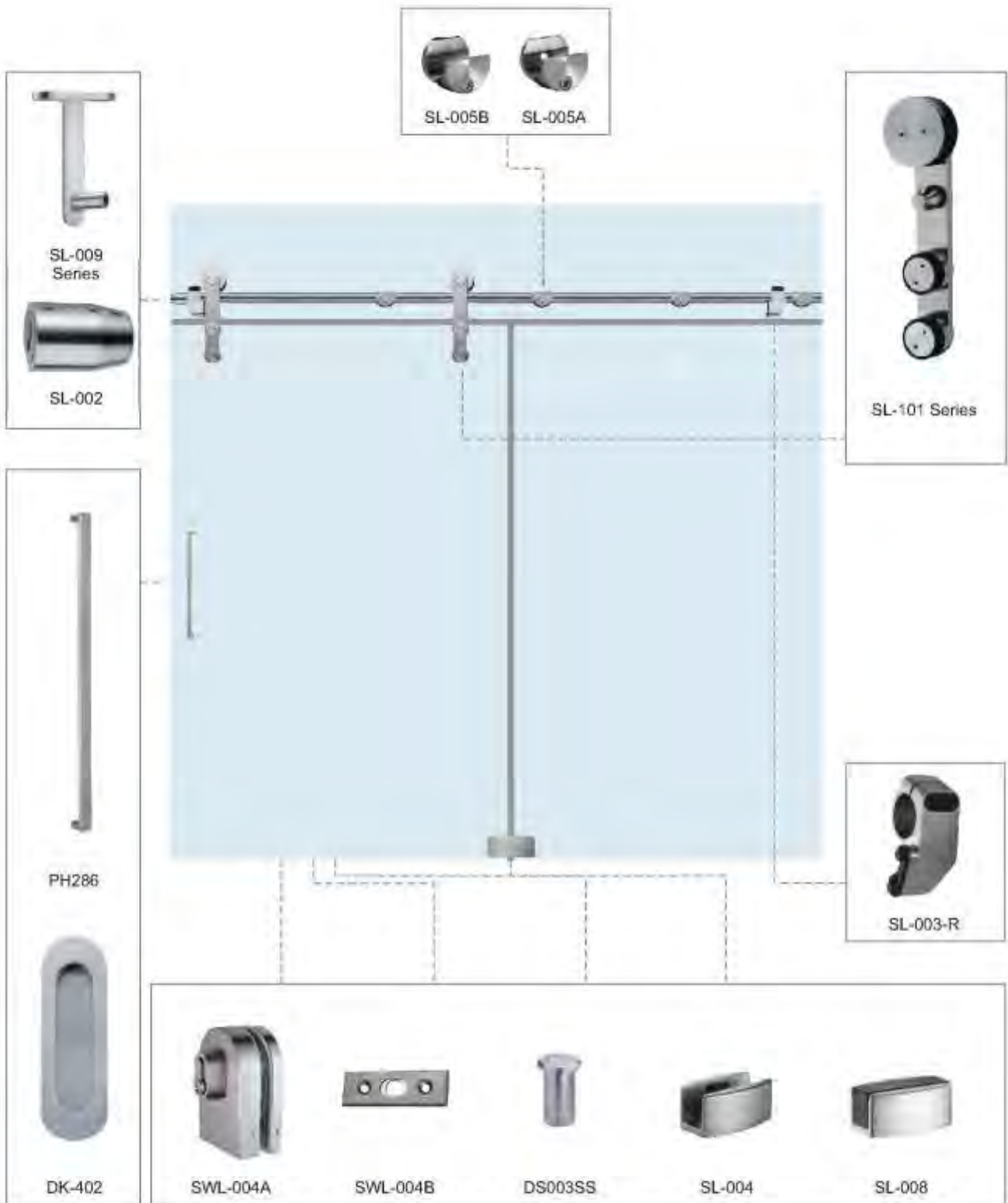
SWE-002D





## Sliding Door System



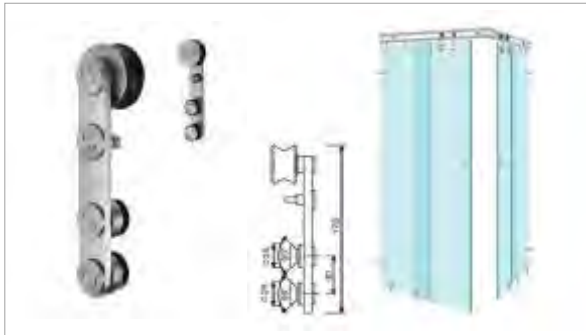


Glass preparation For 10(12)mm thick toughened glass  
 CNC machine glass preparation with a tolerance of max.±0.3mm is recommended



## Sliding Door System(SL)

**SL-101A**



**SL-101A-N**



**SL-101B**



**SL-101B-N**



**SL-101C**



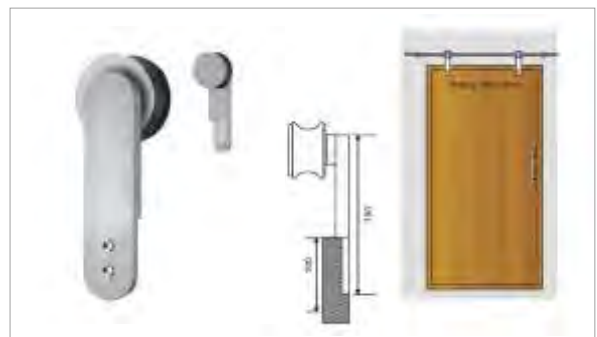
**SL-101C-N**



**SL-101D**

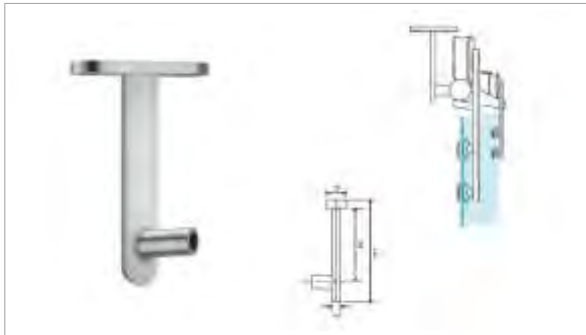


**SL-101D-N**

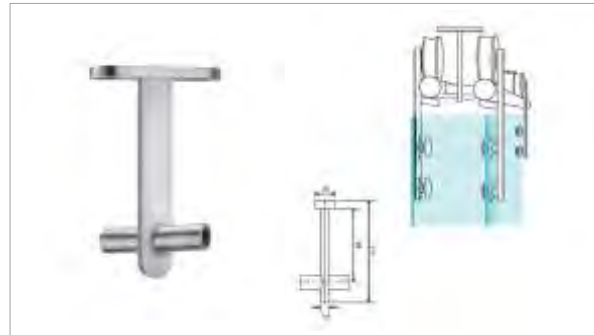


## Sliding Door System(SL)

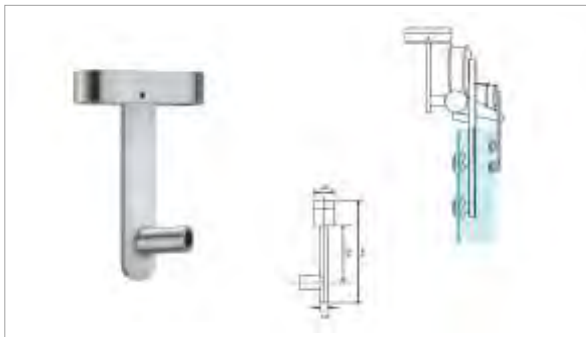
**SL-009A**



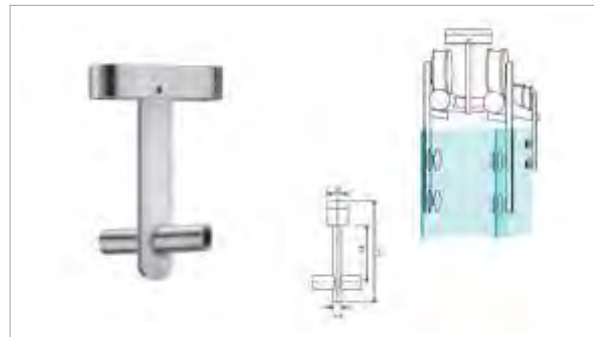
**SL-009B**



**SL-009C**



**SL-009D**



**SL-003A-R**



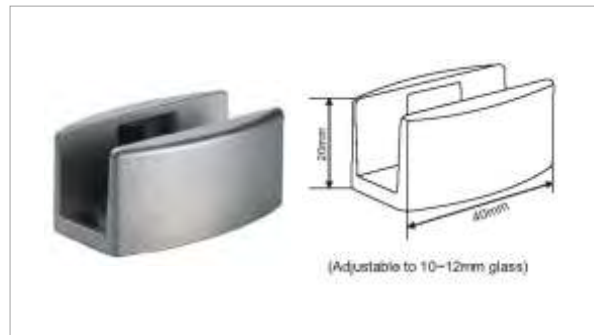
**SL-003A-L**



**SL-008**

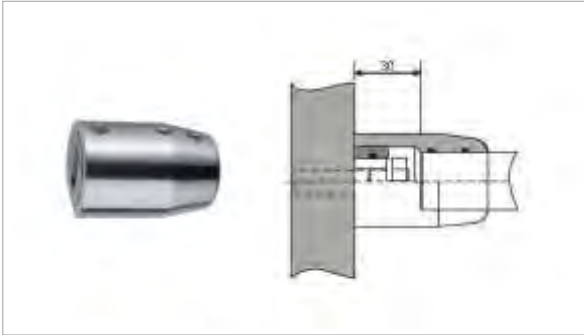


**SL-004**



## Sliding Door System(SL)

**SL-002**



**DK-401**



**SL-005A**



**SL-005B**



**SL-005C**



**SL-005D**



**SL-005E**



**SL-6000-A**

**SL-6000-B**





## Connecting System

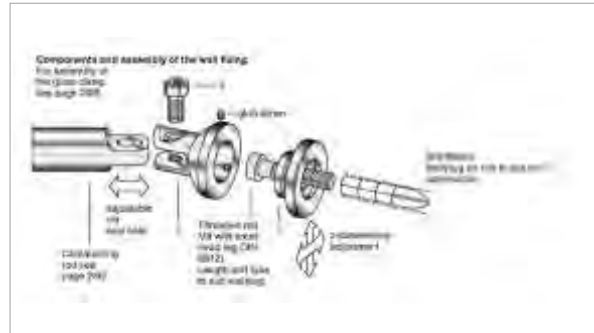


## Connecting System(CON)

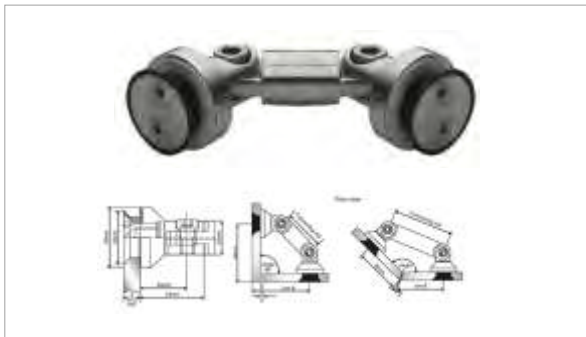
**CON-001**



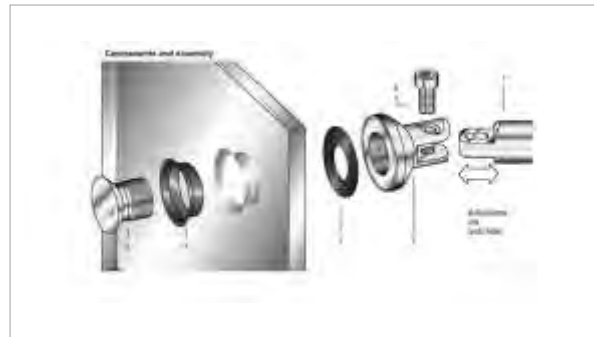
**Installation diagram:**



**CON-002**



**Installation diagram:**



**CON-003**



**CON-003**



**CON-003A**

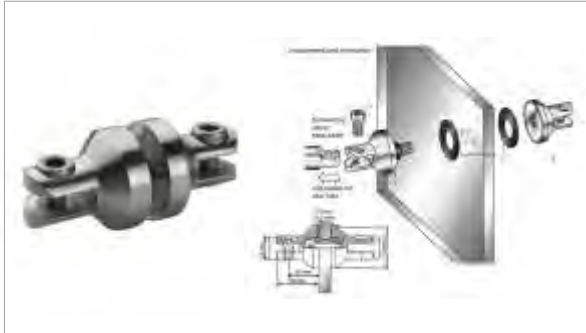


**CON-003B**



## Connecting System(CON)

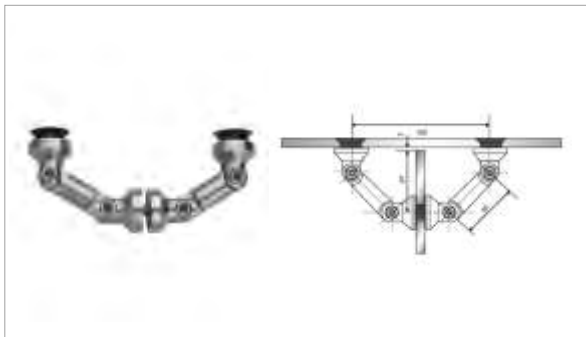
CON-004



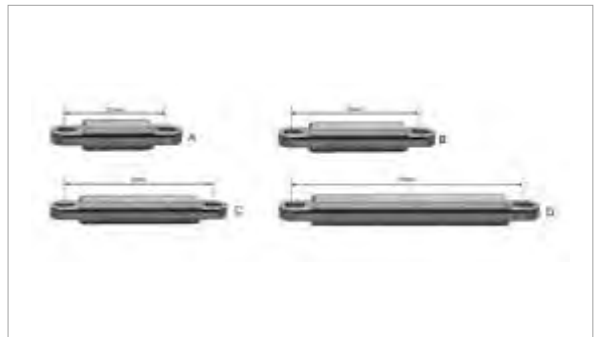
CON-003C



CON-005



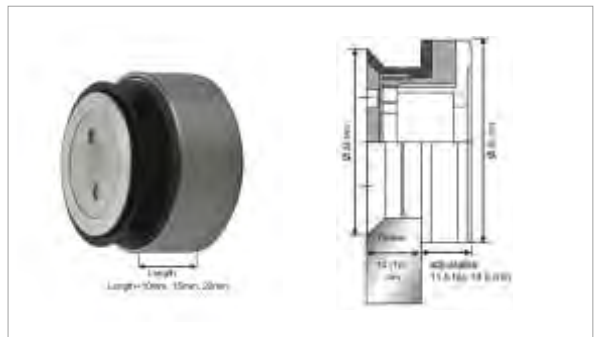
CON-006A B C D



CON-007A

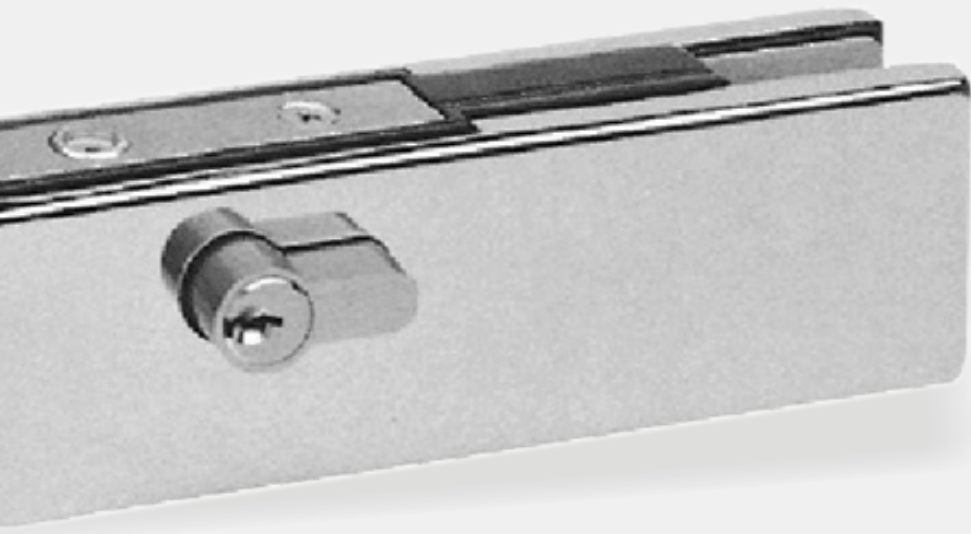


CON-007B

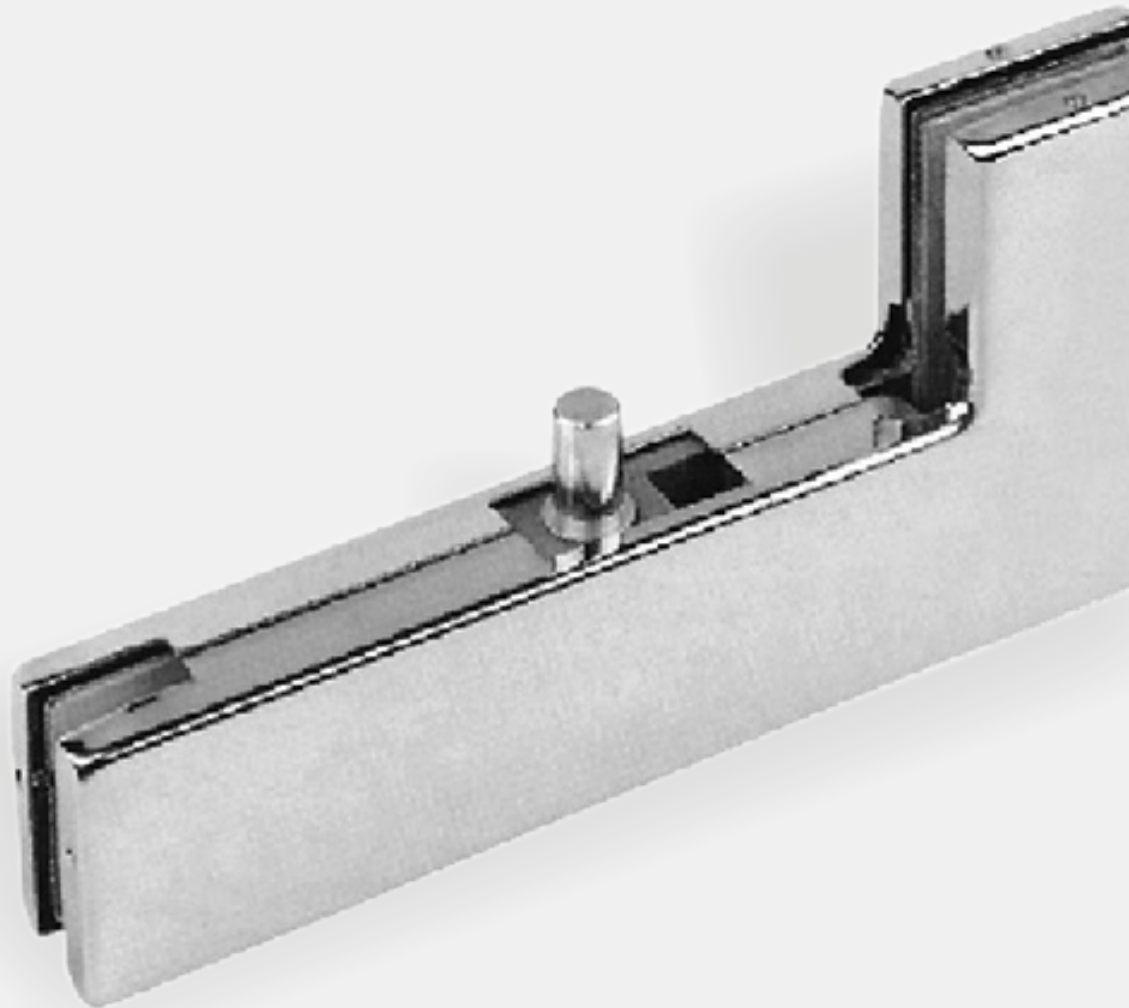


CON-007C





## Patch Fitting



## Patch Fitting(PF)

PF001



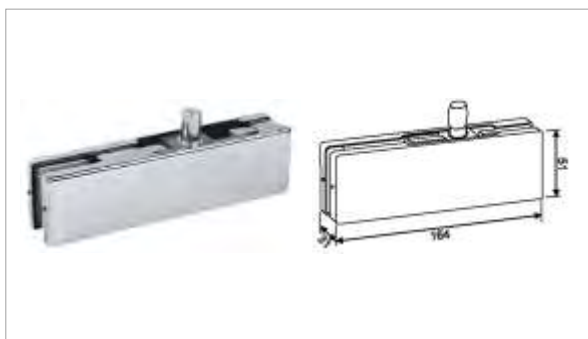
Accessories: A for DORMA  
B for MAB  
C for NEW STAR

PF002



Accessories: D with PLASTIC  
E with STAINLESS STEEL BALL BEARING

PF003



PF003A

PF003B

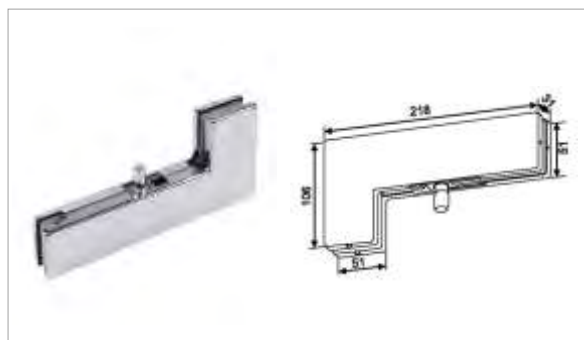


PF003C

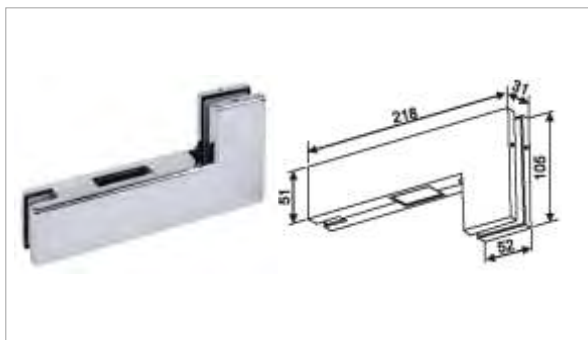
PF003D



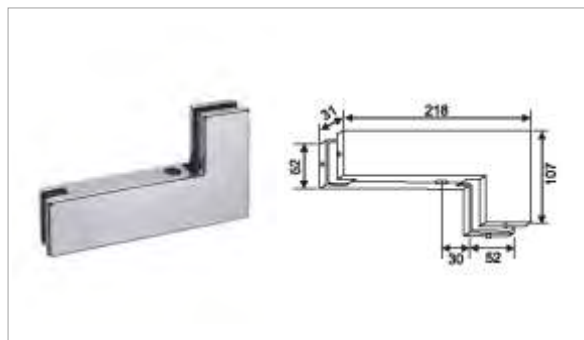
PF004



PF013



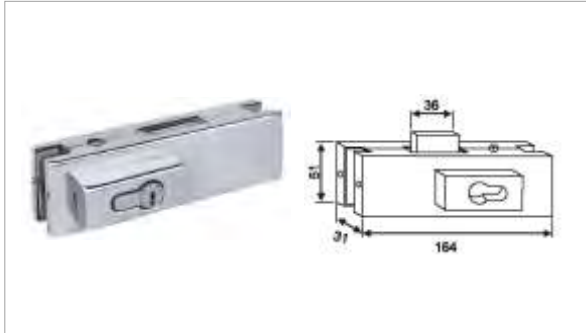
PF014



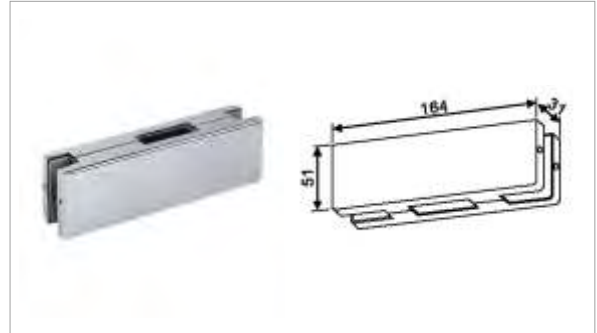


## Patch Fitting(PF)

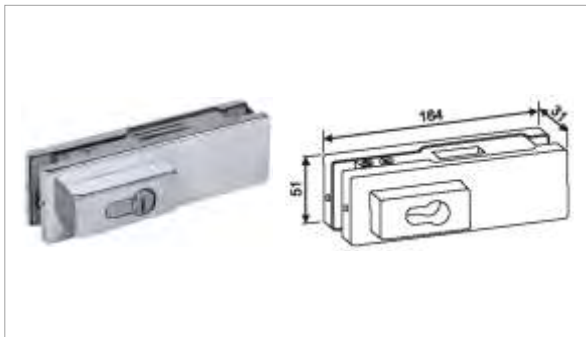
**PF006**



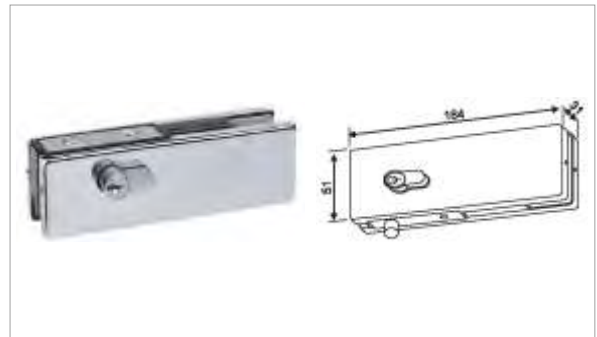
**PF006K**



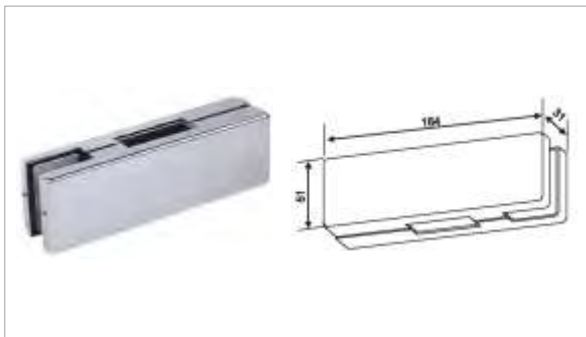
**PF005**



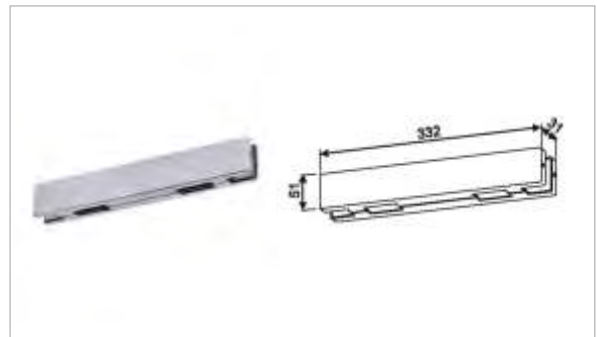
**PF023**



**PF025**



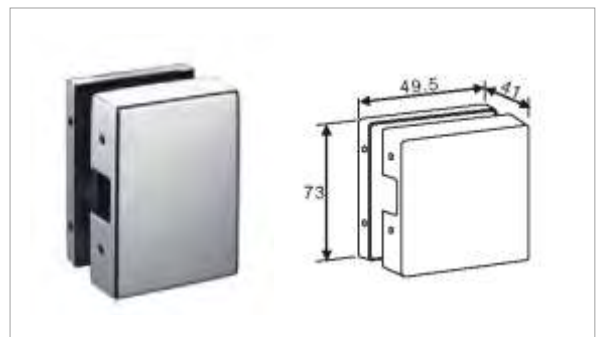
**PF012**



**PF024**

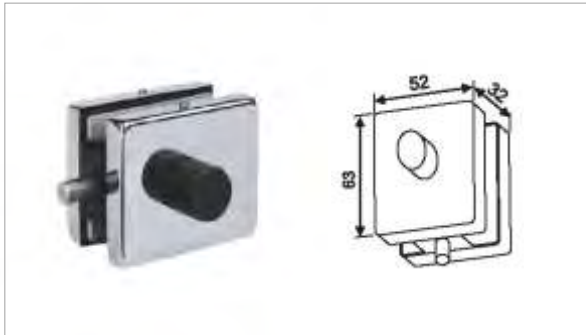


**PF024K**

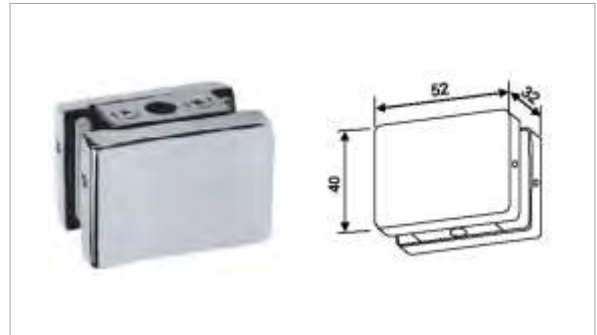


## Patch Fitting(PF)

PF015



PF016



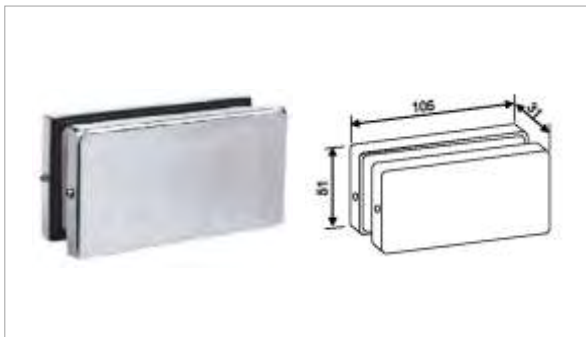
PF017



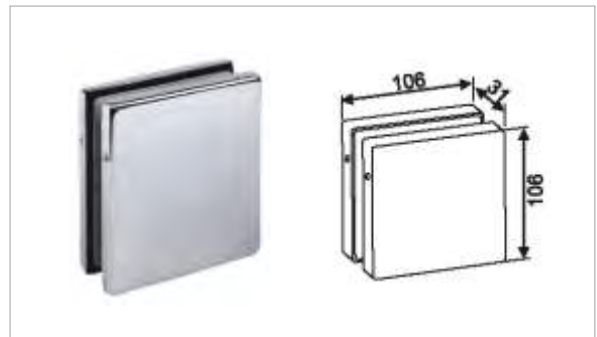
PF018



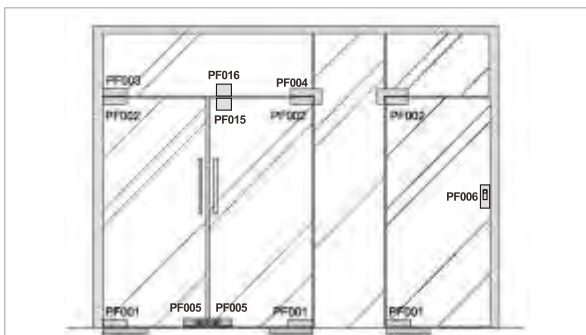
PF020



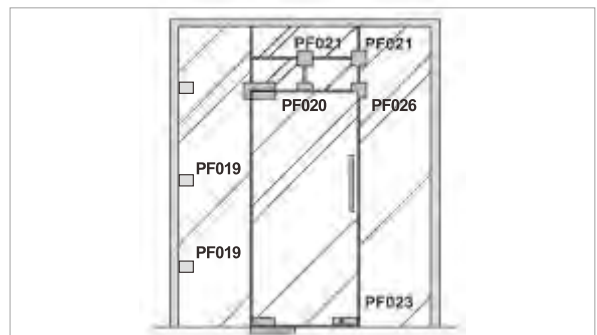
PF021



Installation diagram:

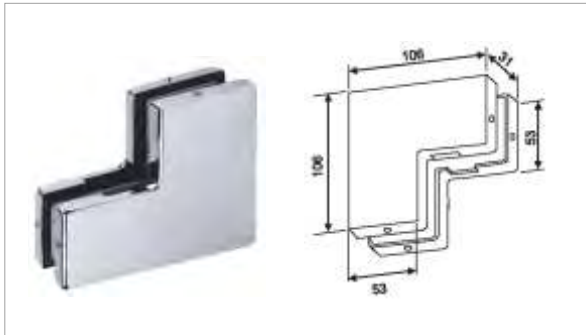


Installation diagram:

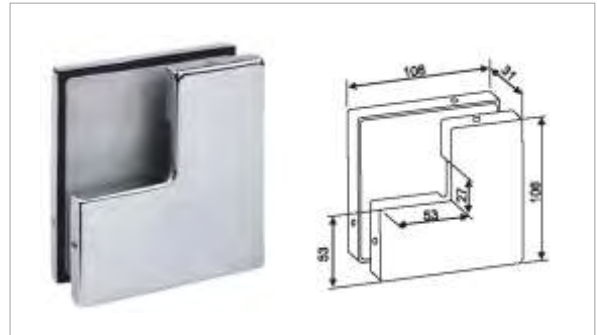


## Patch Fitting(PF)

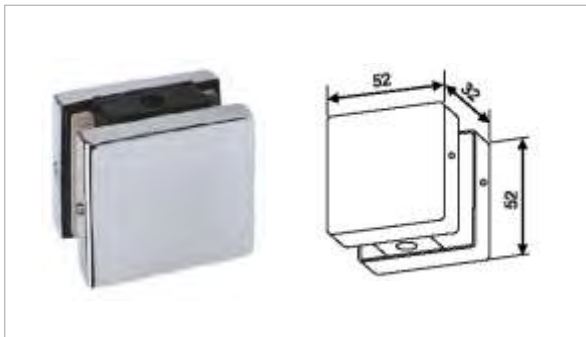
**PF026**



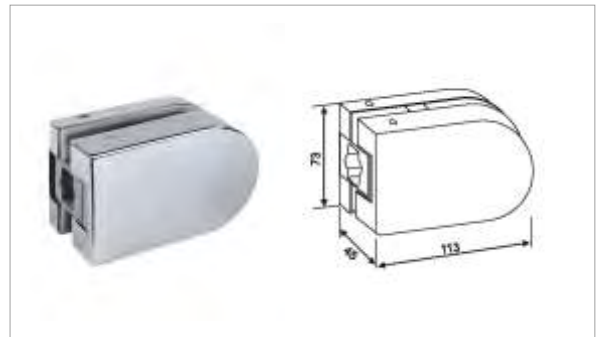
**PF027**



**PF019**



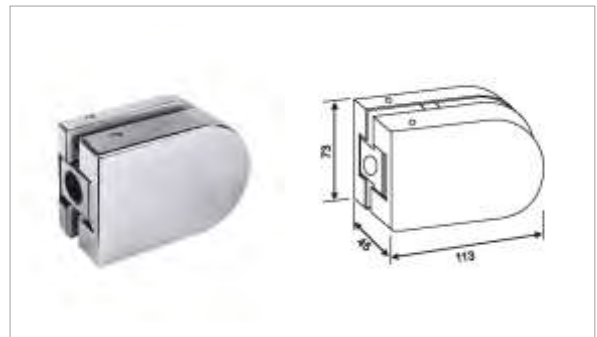
**PF007**



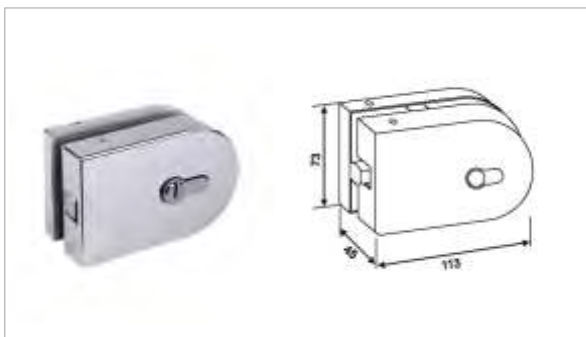
**PF008**



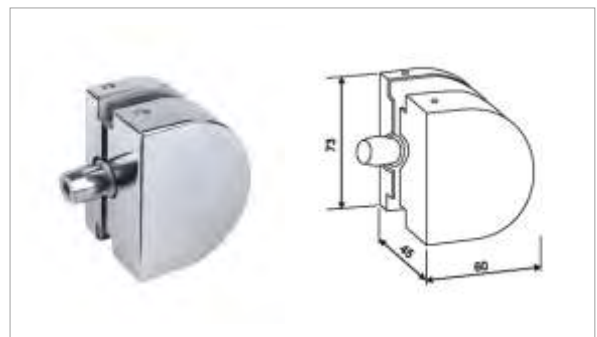
**PF009**



**PF010**

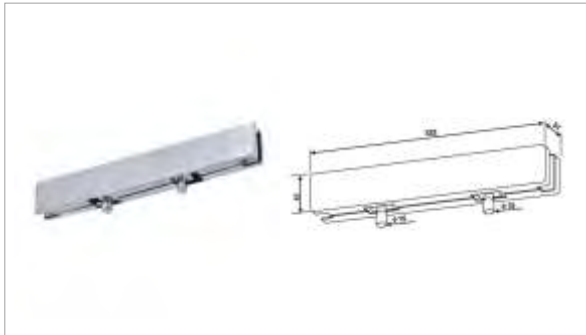


**PF011**



## Patch Fitting(PF)

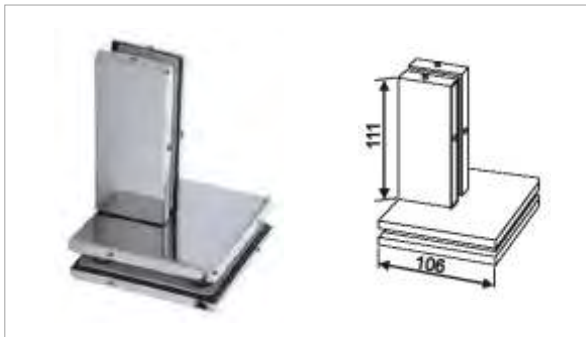
PF028



PF029



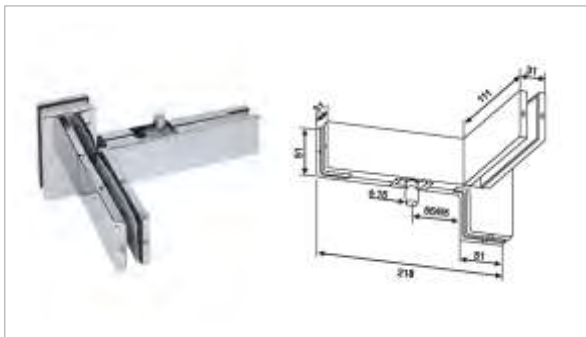
PF022



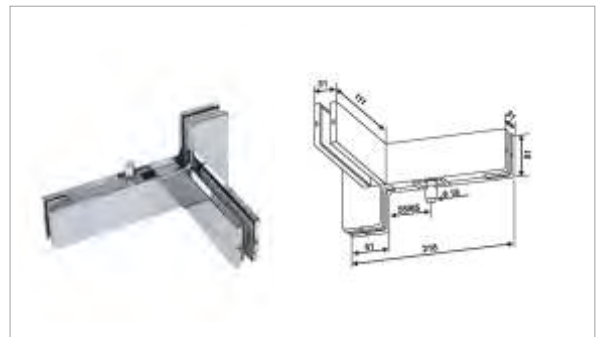
PF034



PF030



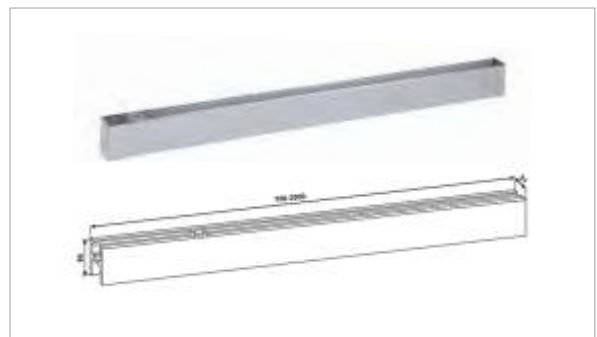
PF031



PF032



PF033

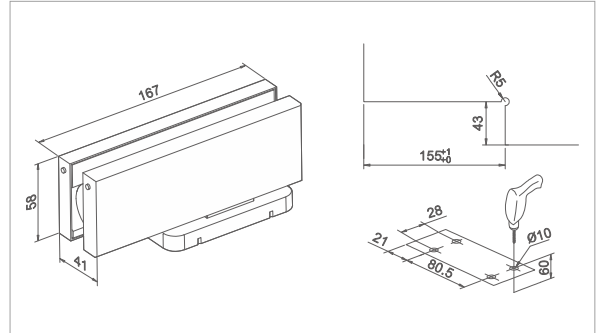


## Patch Fitting(PF)

**PF11**



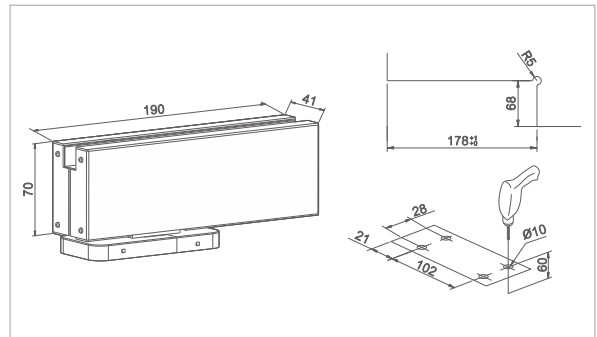
**Installation diagram:**



**PF13**



**Installation diagram:**



**PF101**



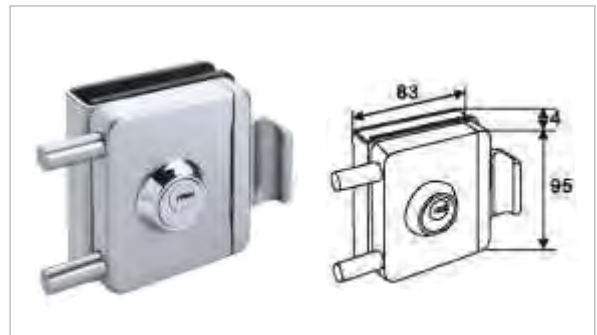
**PF102**



**PF103**



**PF104**



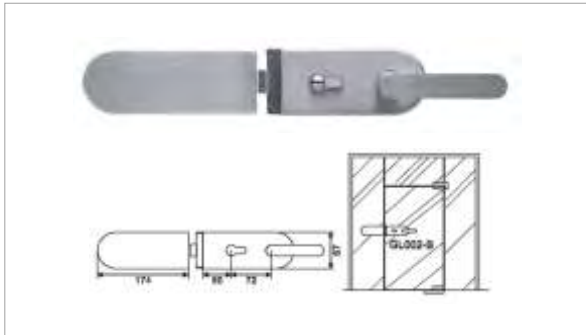


## Glass Door Lock

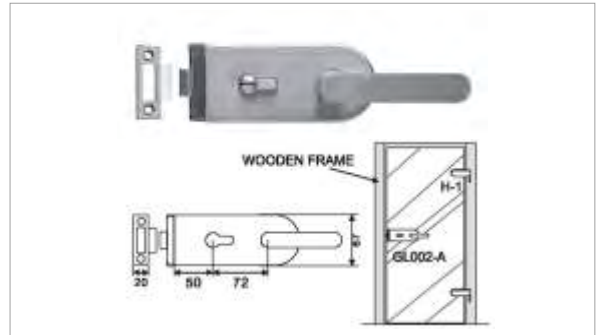


## Glass Door Lock(GL)

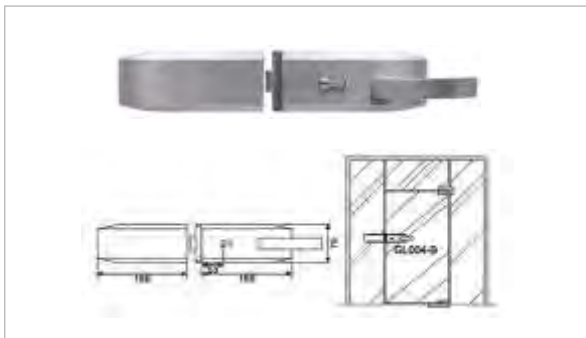
**GL002-B**



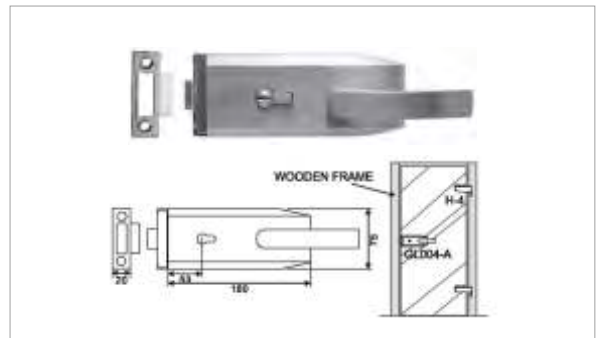
**GL002-A**



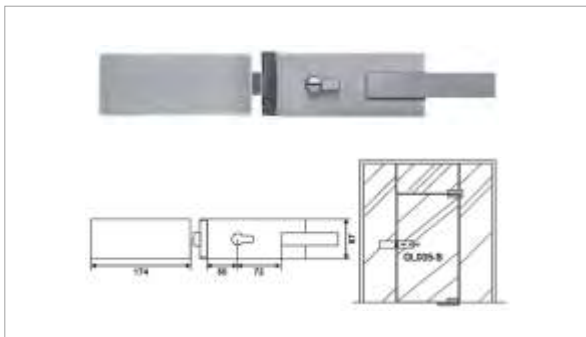
**GL004-B**



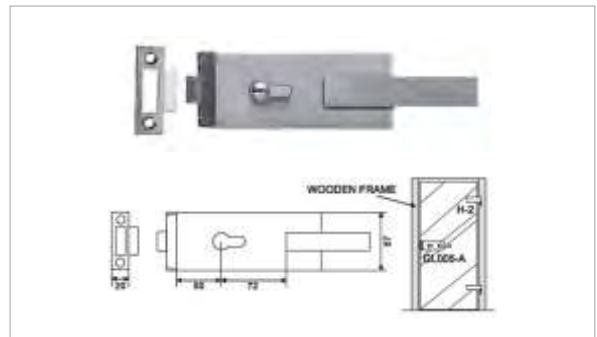
**GL004-A**



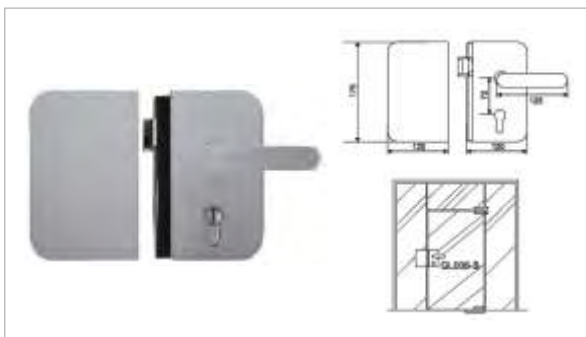
**GL005-B**



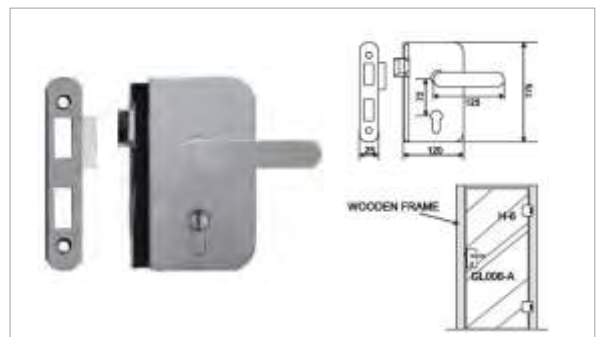
**GL005-A**



**GL006-B**

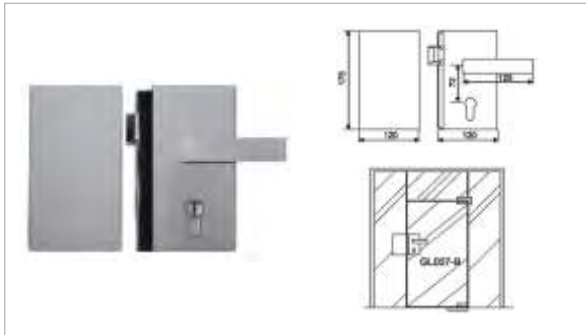


**GL006-A**

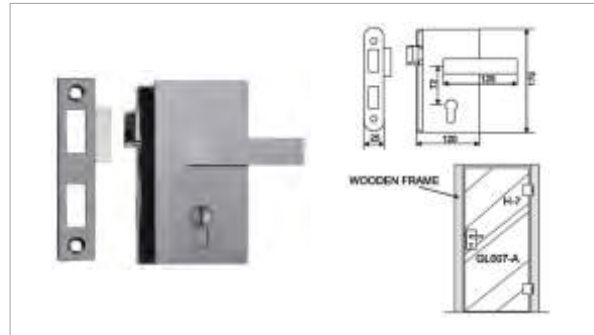


## Glass Door Lock(GL)

GL007-B



GL007-A



GL001-A



GL001-B



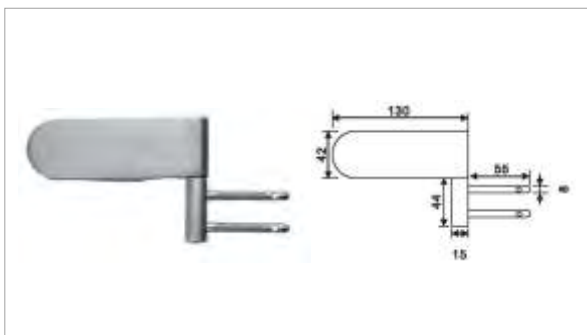
GL008-A





## Glass Door Lock(GL)

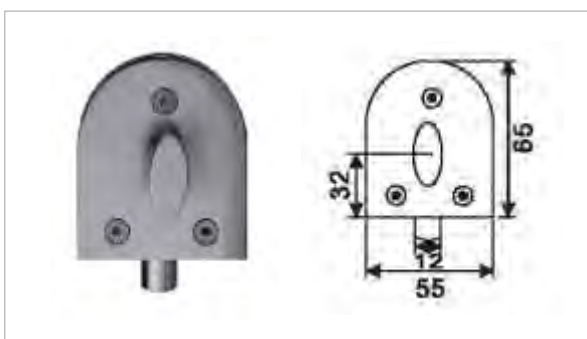
**H-1A**



**H-1B**



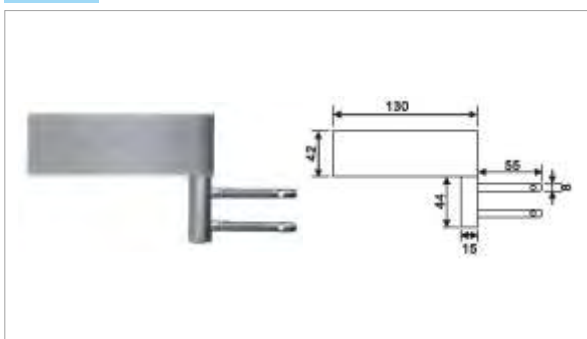
**GL002-L**



**GL003-L**



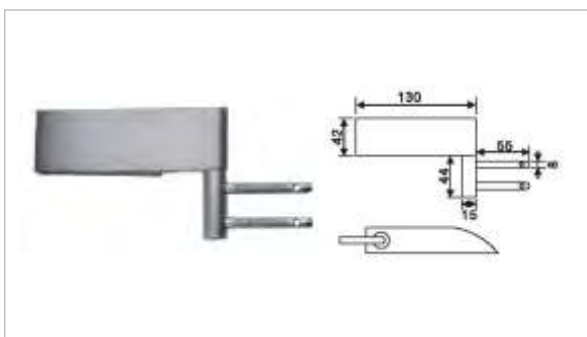
**H-2A**



**H-2B**



**H-4A**



**H-4B**



## Glass Door Lock(GL)

H-6B



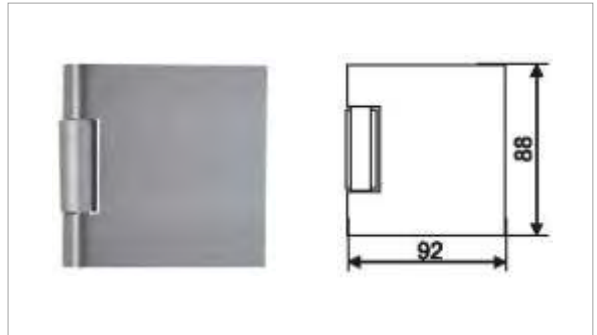
H-6A



H-7B



H-7A





## Floor Spring & Door Closer

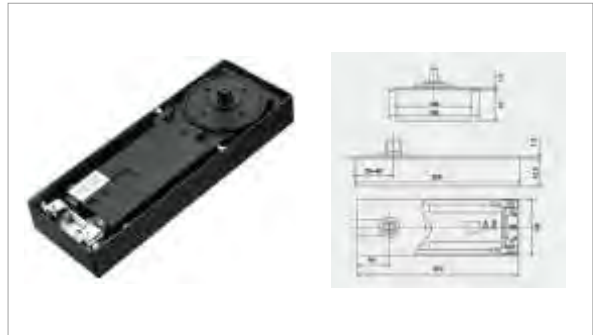


## Floor Spring & Door Closer(FS,DC)

FS-84



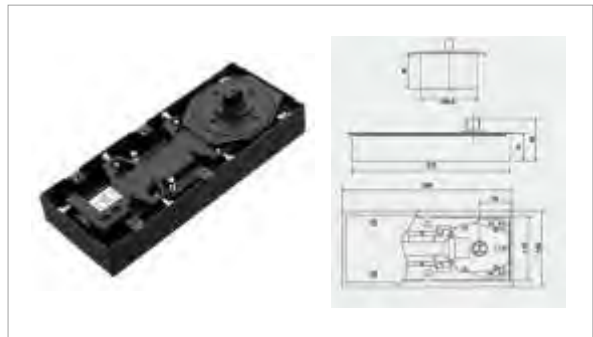
FS-80



FS-9500



FS-65



FS-848



FS-828



FS-38

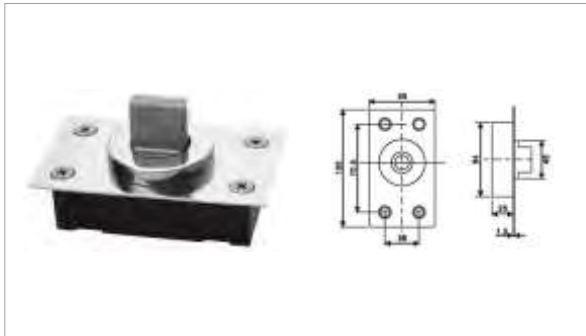


FS-7300

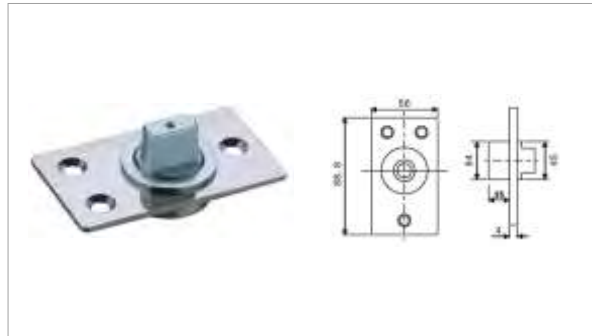


## Floor Spring & Door Closer(FS,DC)

**CMH159**



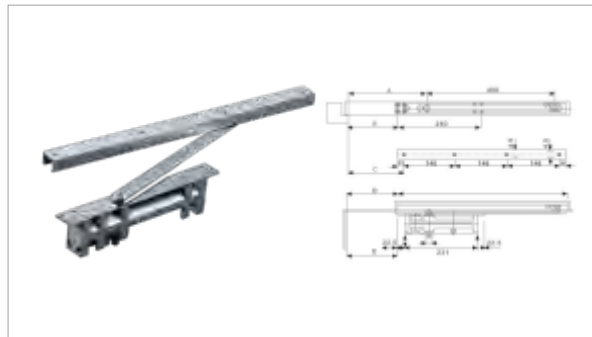
**CMH160**



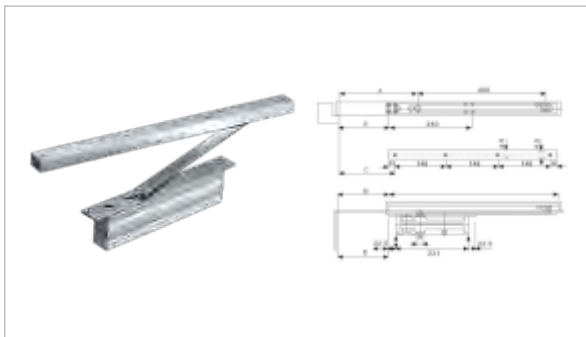
**FS-8300**



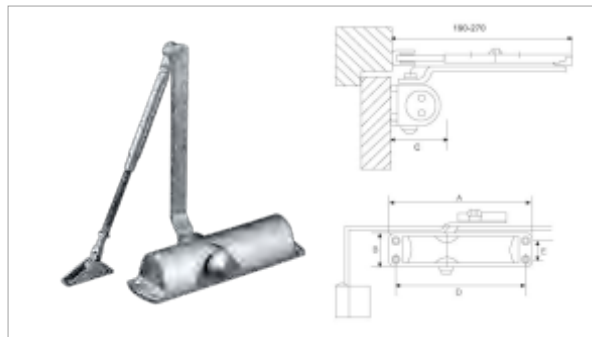
**DC-982**



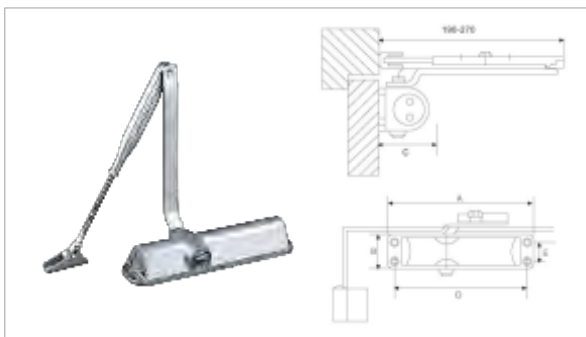
**DC-982A**



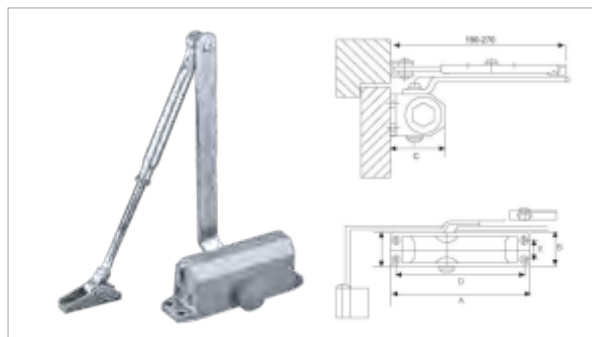
**DC-202**



**DC-203**

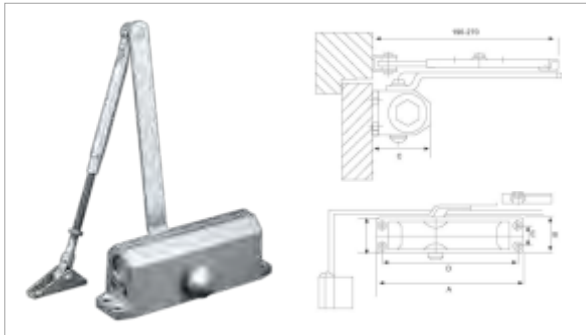


**DC-051**

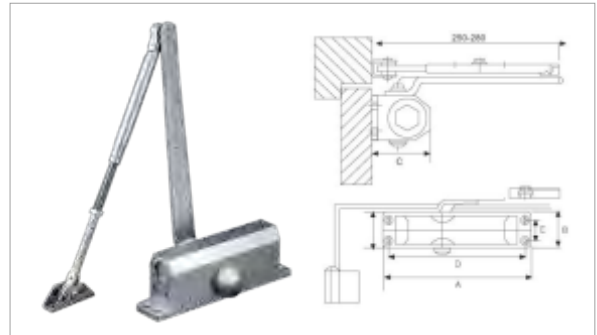


## Floor Spring & Door Closer(FS,DC)

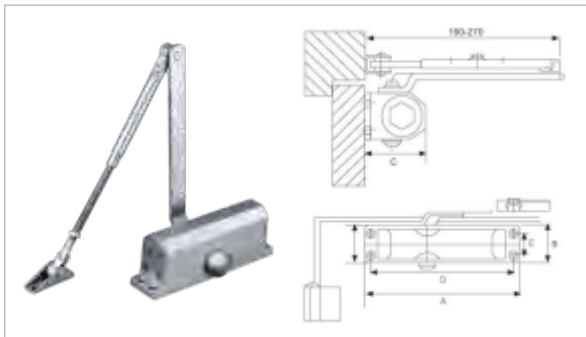
DC-071A



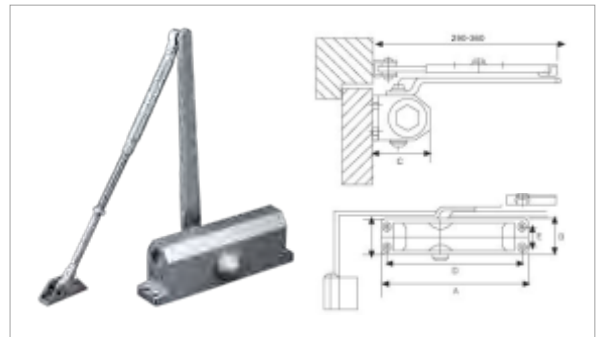
DC-082



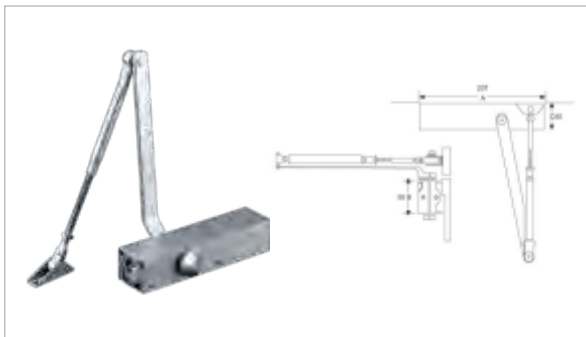
DC-061A



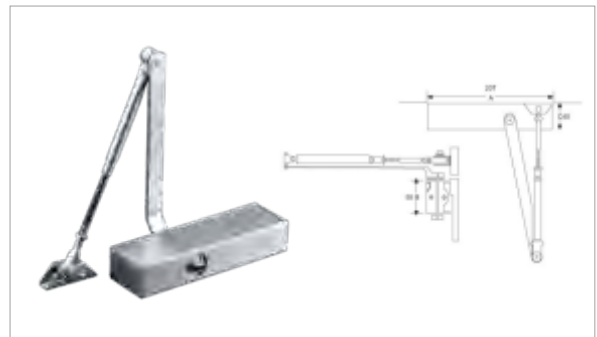
DC-073



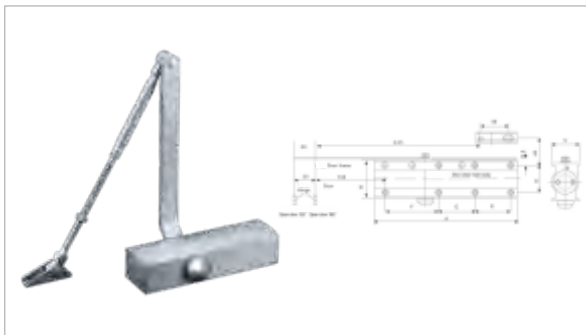
DC-2001



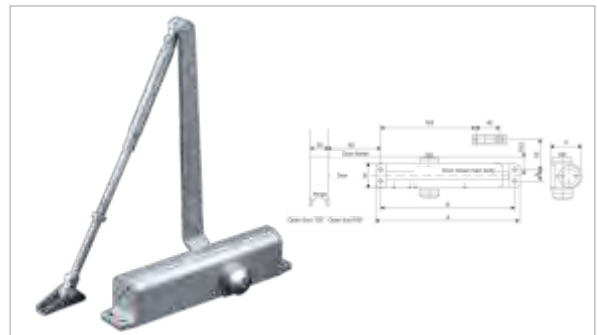
DC-3000



DC-2003



DC-4000





## Spider Fitting



## Spider fitting(SF)

SF-F250-4



SF-F250-3



SF-F250-2-90



SF-F250-1-90



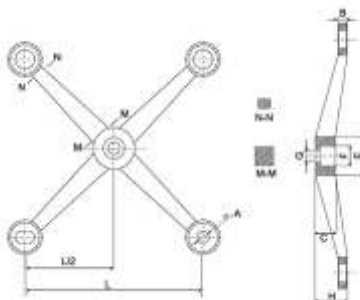
SF-F250-2-180



SF-F250-1-180



### Installation diagram:



MODEL NO:	SIZE (mm)							
	L	H	A	B	C	E	F	G
SF-F250	250	48	48	15	28	50	30	17
SF-F220	220	46	42	15	28	48	26	15
SF-F204	204	40	40	14	26	48	26	15



## Spider fitting(SF)

SF-DL11-4



SF-DL11-3



SF-DL11-2-90



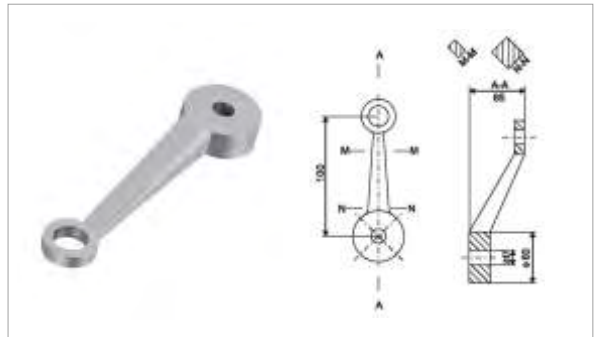
SF-DL11-1-90



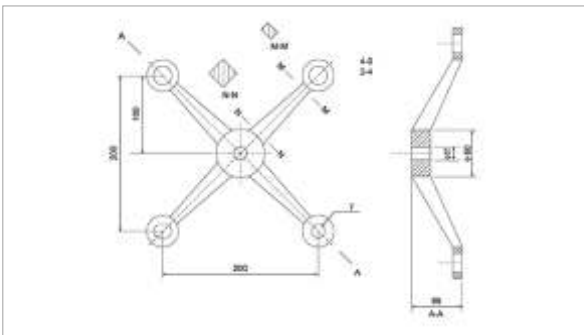
SF-DL-11-2-180



SF-DL11-1-180

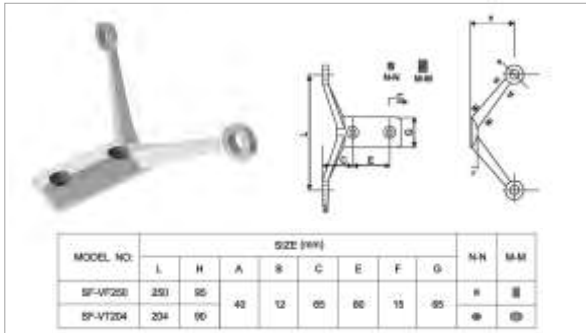


### Installation diagram:

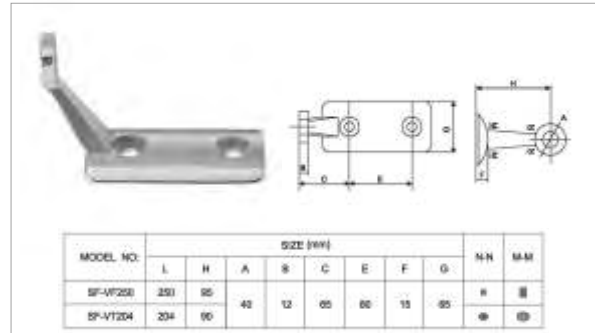


## Spider fitting(SF)

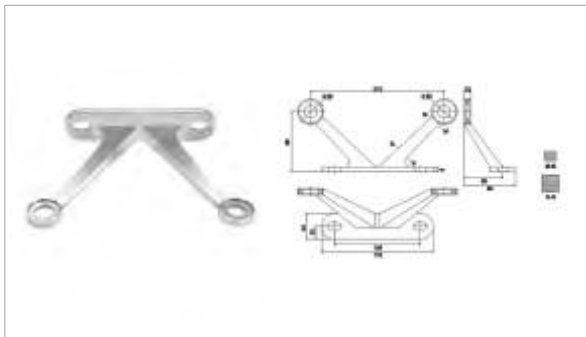
SF-VF250-2



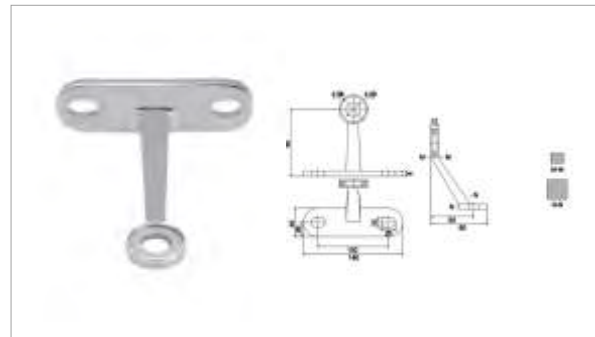
SF-VF250-1-180



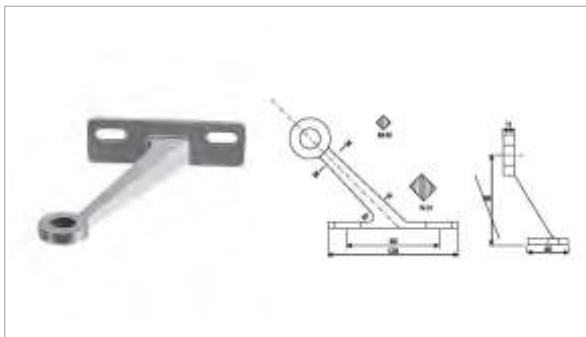
SF-V210-2



SF-V210-1(180°)



SF-DL-K200-1(Left)



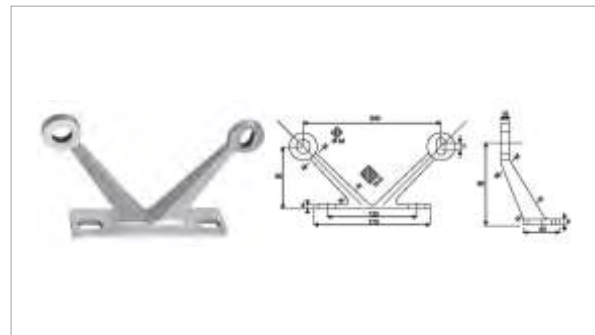
SF-DL-K200-1(Right)



SF-DL-K200-1-180

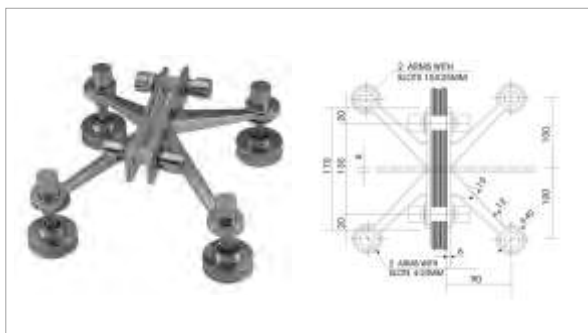


SF-DL-K200-2-90

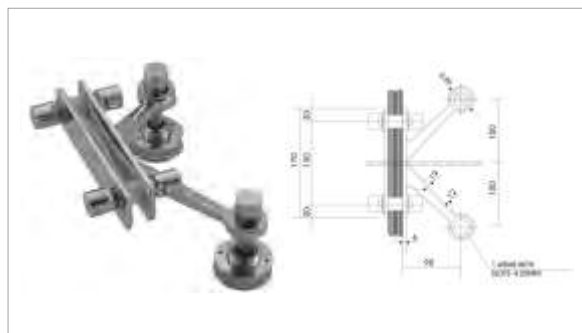


## Spider fitting(SF)

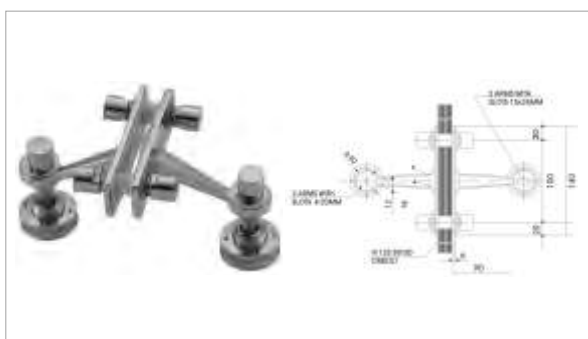
SF2004



SF2002 90°



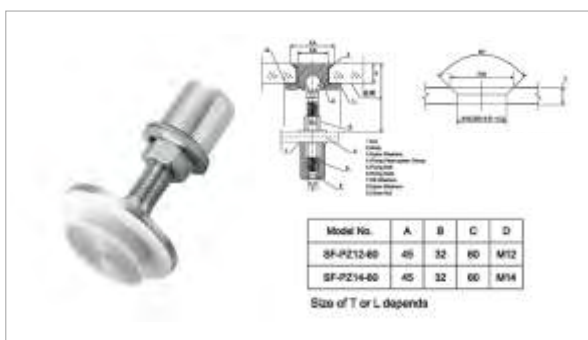
SF2002 180°



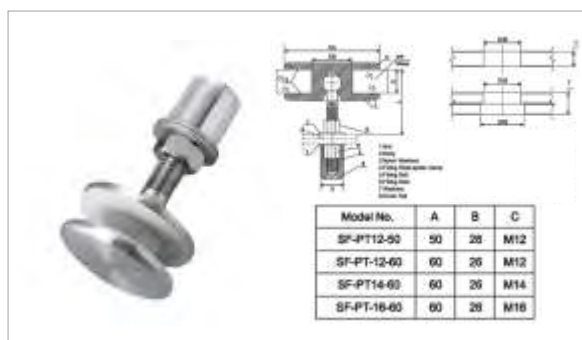
SF2001 180°



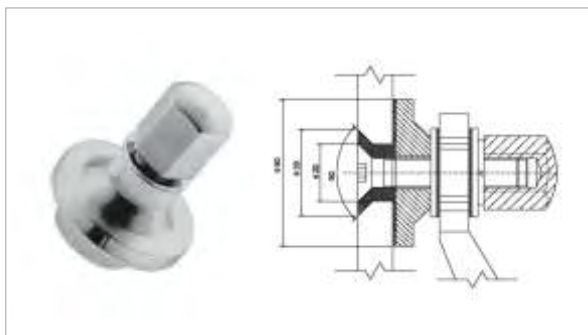
SF-PZ

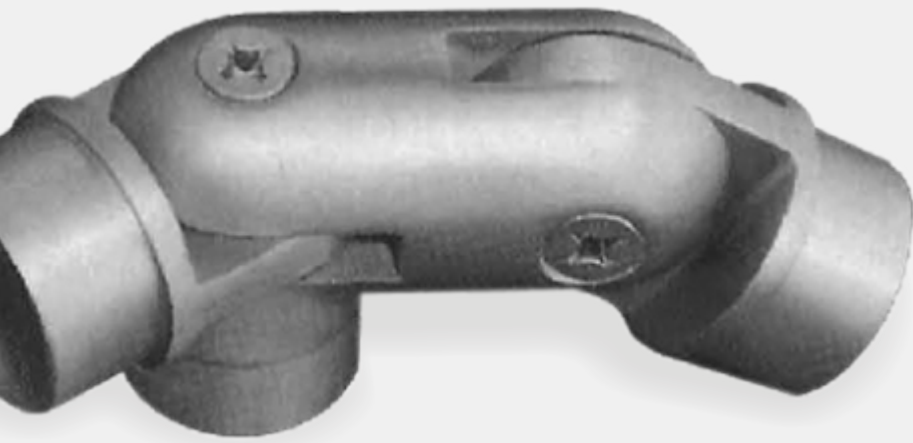


SF-PT



SF-GPZ10-50





**Handrails Hardware**



## Handrails hardware(HS)

**HS-004F**

**HS-004R**



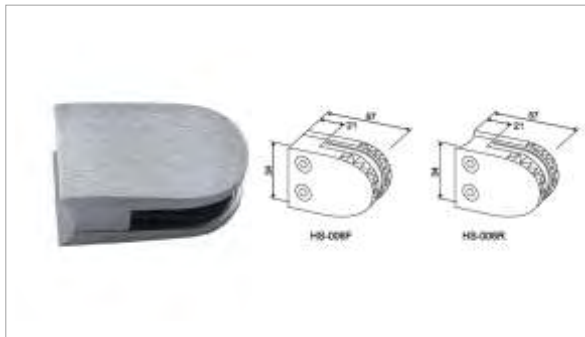
**HS-005F**

**HS-005R**



**HS-006F**

**HS-006R**

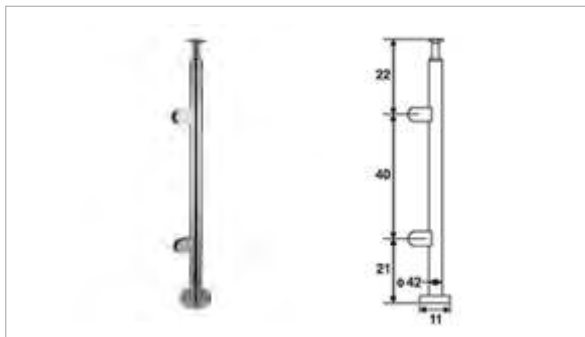


**HS-007F**

**HS-007R**



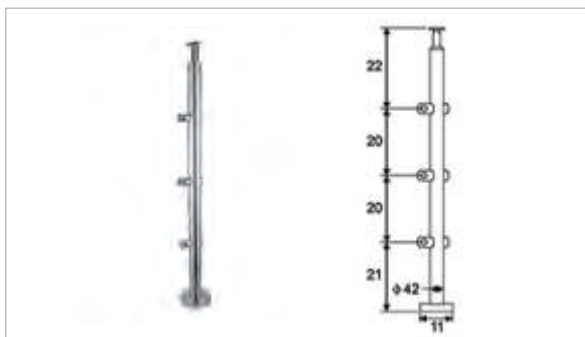
**HS-035**



**Installation diagram:**



**HS-036**

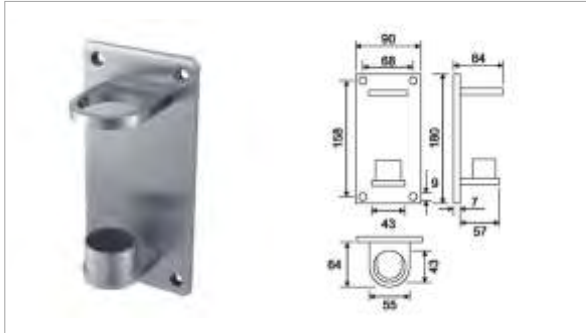


**Installation diagram:**

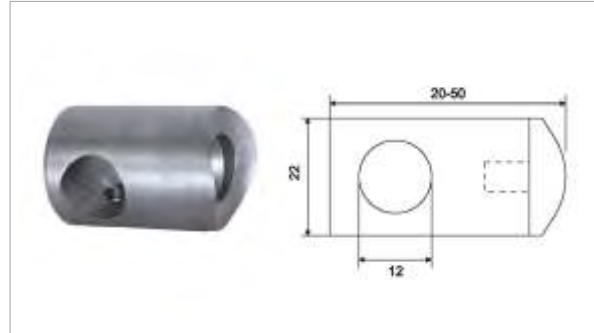


## Handrails hardware(HS)

HS-009



HS-034



HS-008



HS-024



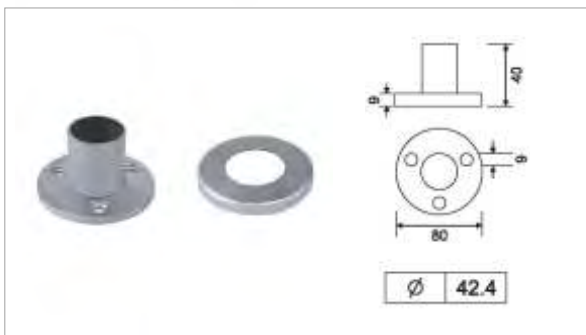
HS-001



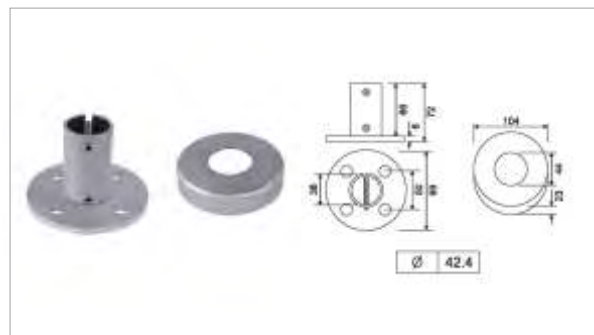
HS-002



HS-011

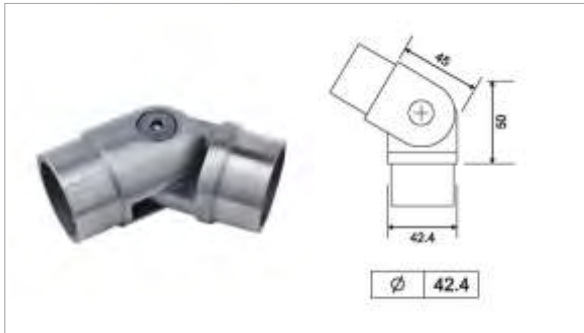


HS-015

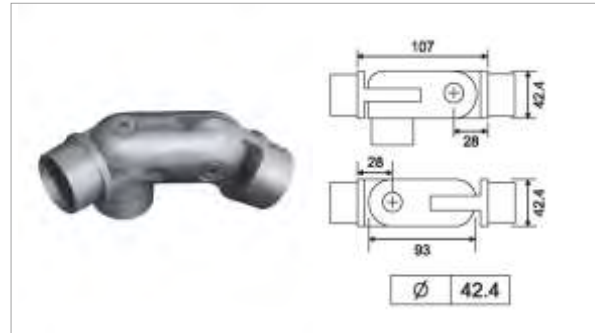


## Handrails hardware(HS)

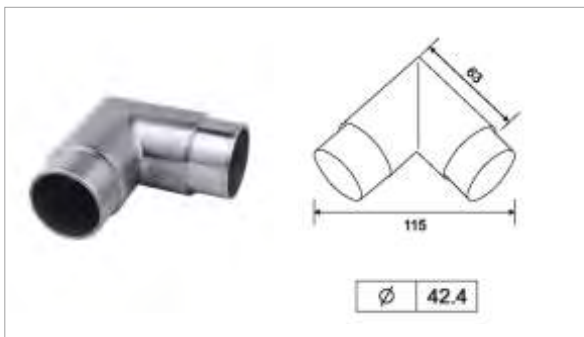
**HS-003**



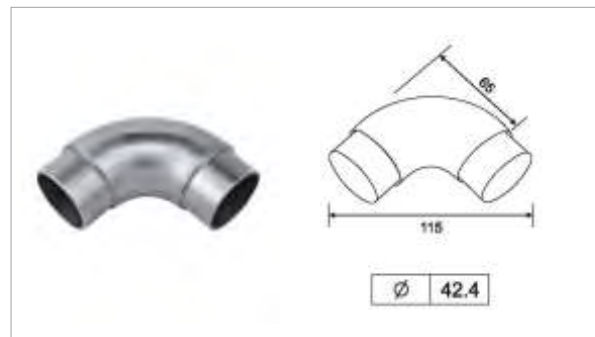
**HS-010**



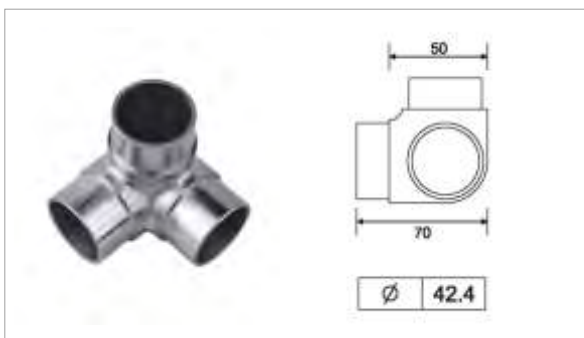
**HS-012**



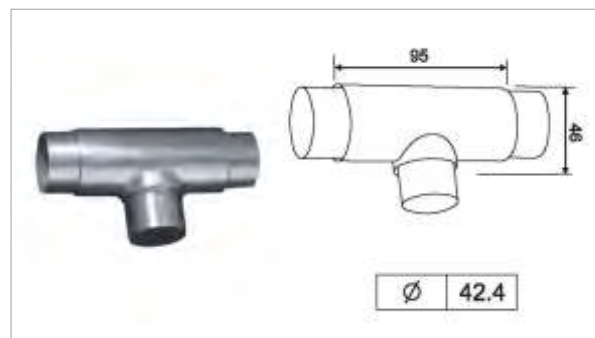
**HS-014**



**HS-013**



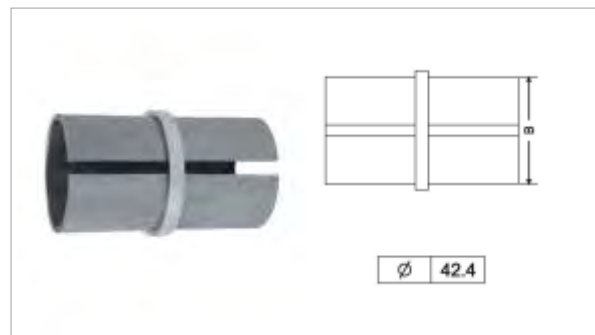
**HS-016**



**HS-023**

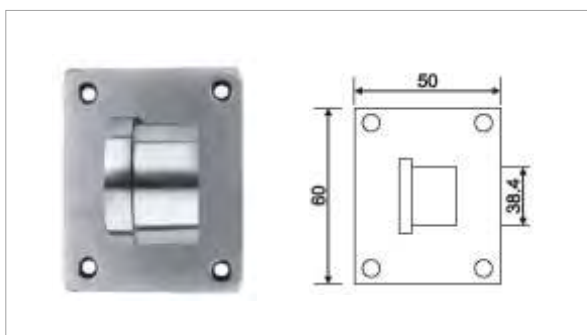


**HS-033**

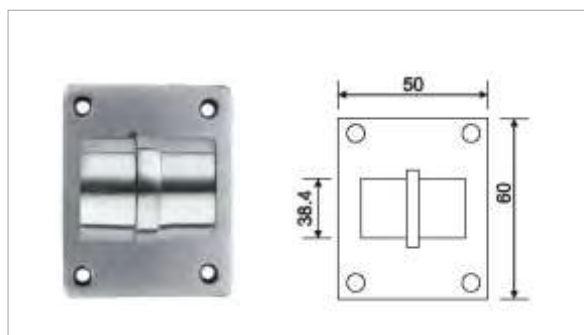


## Handrails hardware(HS)

HS-018A



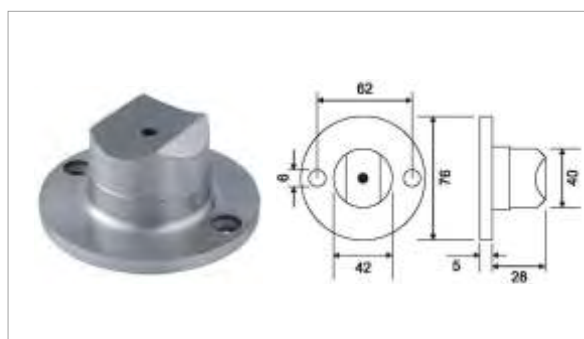
HS-019



HS-020



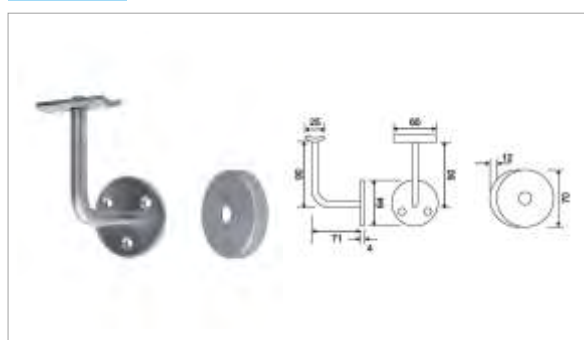
HS-021



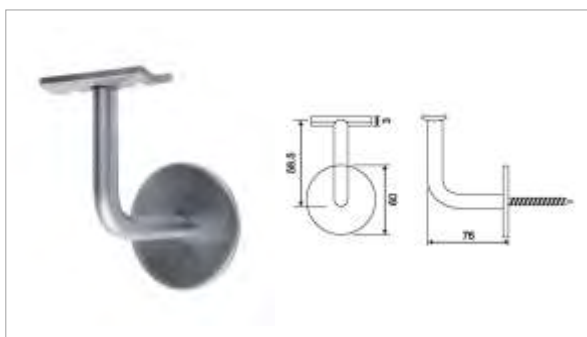
HS-022



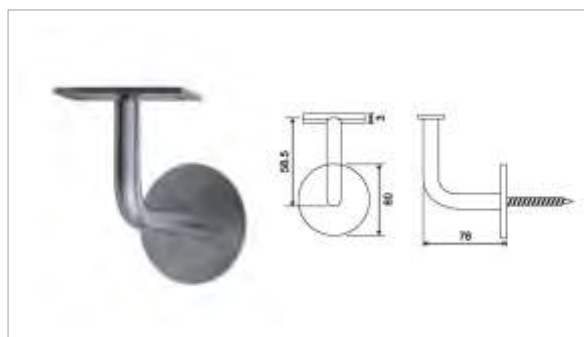
HS-025



HS-026



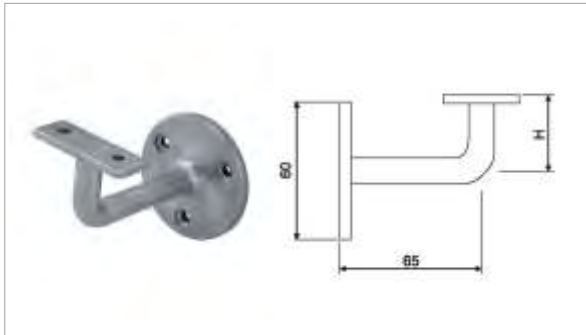
HS-027



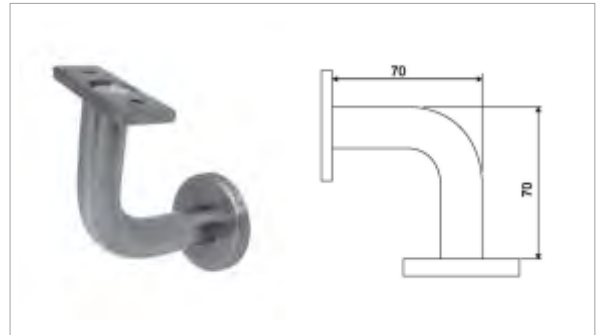


## Handrails hardware(HS)

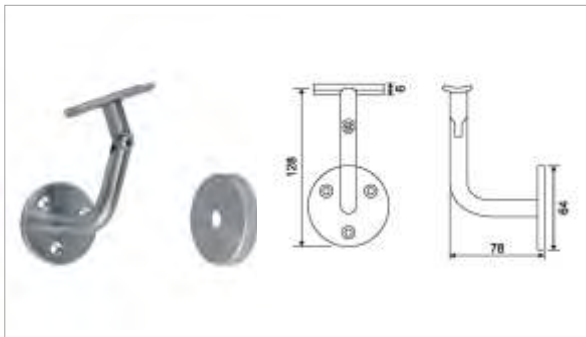
**HS-028**



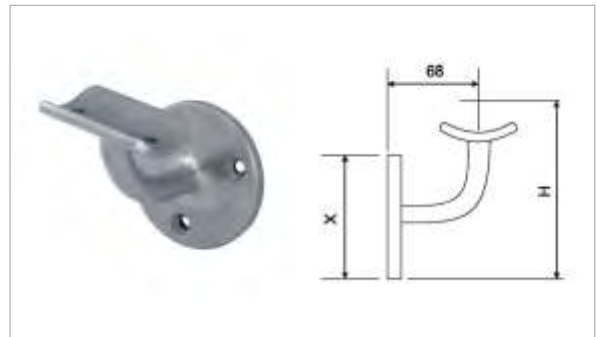
**HS-029**



**HS-030**



**HS-031**



**HS-032**





## Pool Fencing Hardware



## Pool fencing hardware(AG)

**AG202**



**AG205A**



**AG005A**



**AG105**



**AG002A**



**AG102**



**AG302**



**AG003A**



## Pool fencing hardware(AG)

AG001B



AG009



AG007



AG008



AG028



AG010



AG011



AG012





## Enclosure



## Enclosure

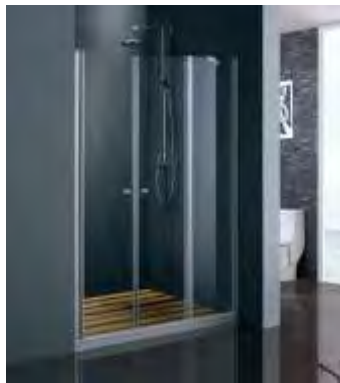
OF3142



OP3231



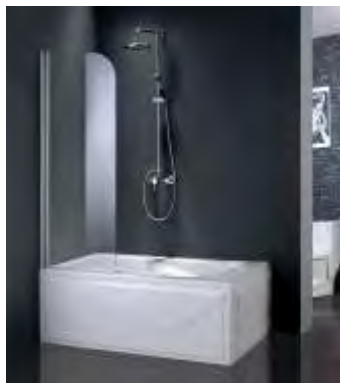
OP3432



OP3542



OP3611



OP3722



DP8064



DP8132

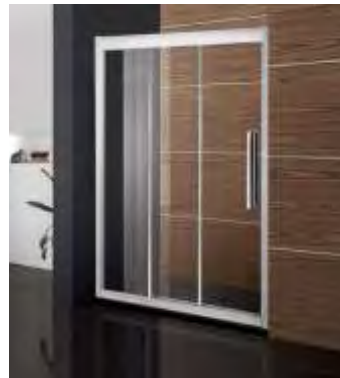


## Enclosure

FC1030



FP-1232



AC1831



AF1742



AP1321



AP1231



AP1442



AP1552



## Enclosure

EP0321



EP0431



CC8032



CP8122



CP8431



CP8242



GC5031



GD5131





## Enclosure

GP5221



GP5331



GC5431



GC5542



GD5631



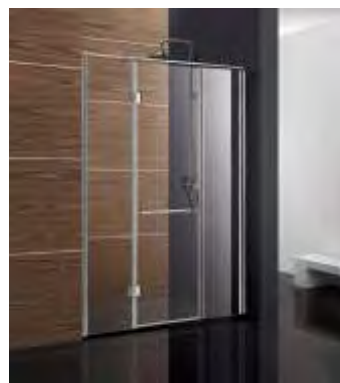
GD5742



GD5831



GP5931



## Enclosure

GC6031



GD6131



GC6231



GC6342



GD6431



GD6542



GD6621



GP6731



## Enclosure

LC7031



LD7131



LC7231



LD7331



LP7431



LP7531



EAC3A



EBC3B



## Enclosure

ENF4A



ENF4B



EAC4A



EAP2A



EAP3A



EAP4A



ENF4N



EAP2P



## Enclosure

EAP4P



EAP2C



ELP3P



EAP2H



T2011



T2012



T2013



T2014



## Enclosure

T2015



T2016



T2017



T2018



T2019



T2020



T2021

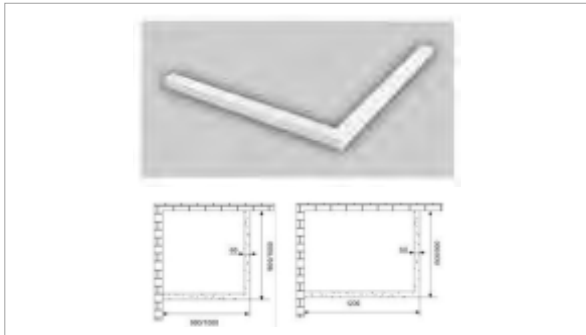


T2022

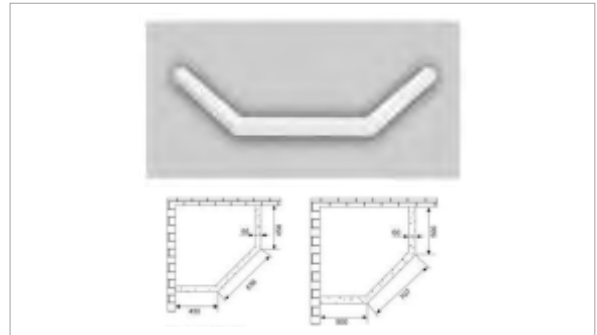


## Enclosure

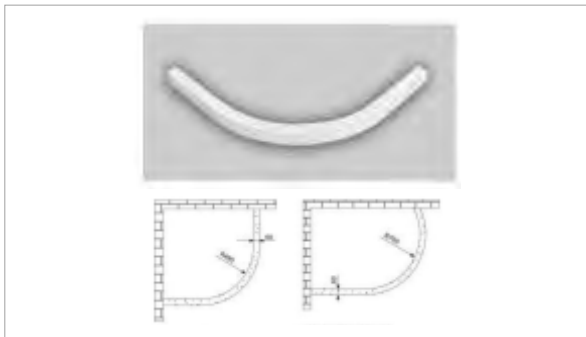
**T5501**



**T5502**



**T5503**



**T6580**



**T6581**



**T6582**



**T6583**



**T6584**



## Enclosure

T6585



T6586



T6587

